

Code F2995

**ADDITIONAL CASCADE FLOW MODULE
FOR ART. F2993**

- sliding module for water supply
- tube in clear silicone

Finishing

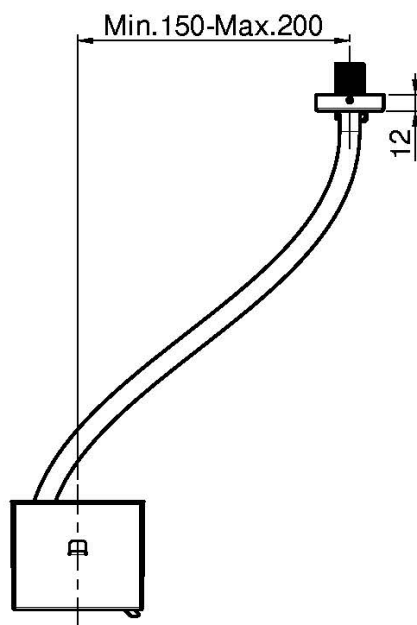
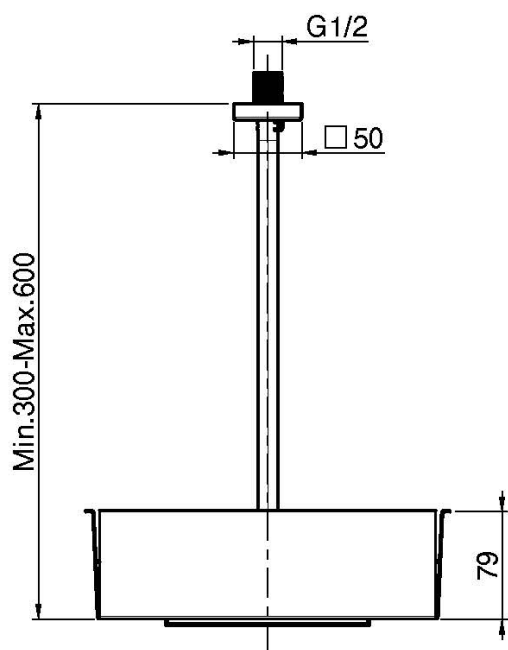
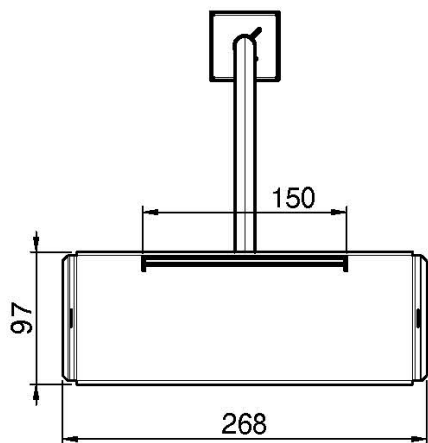
 CHROM
CR

 INOX
INOX

IMAGE



See the general sales conditions in our current pricelist



This drawing is the property of FIMA Carlo Frattini. Any complete or partial reproduction, or any transmission to third party without FIMA Carlo Frattini authorization is forbidden.