

Code F3024

**BATH MIXER WITH DIVERTER**

- n. 2 flexible hoses
- diverter

**Finishing**

 CHROM  
CR

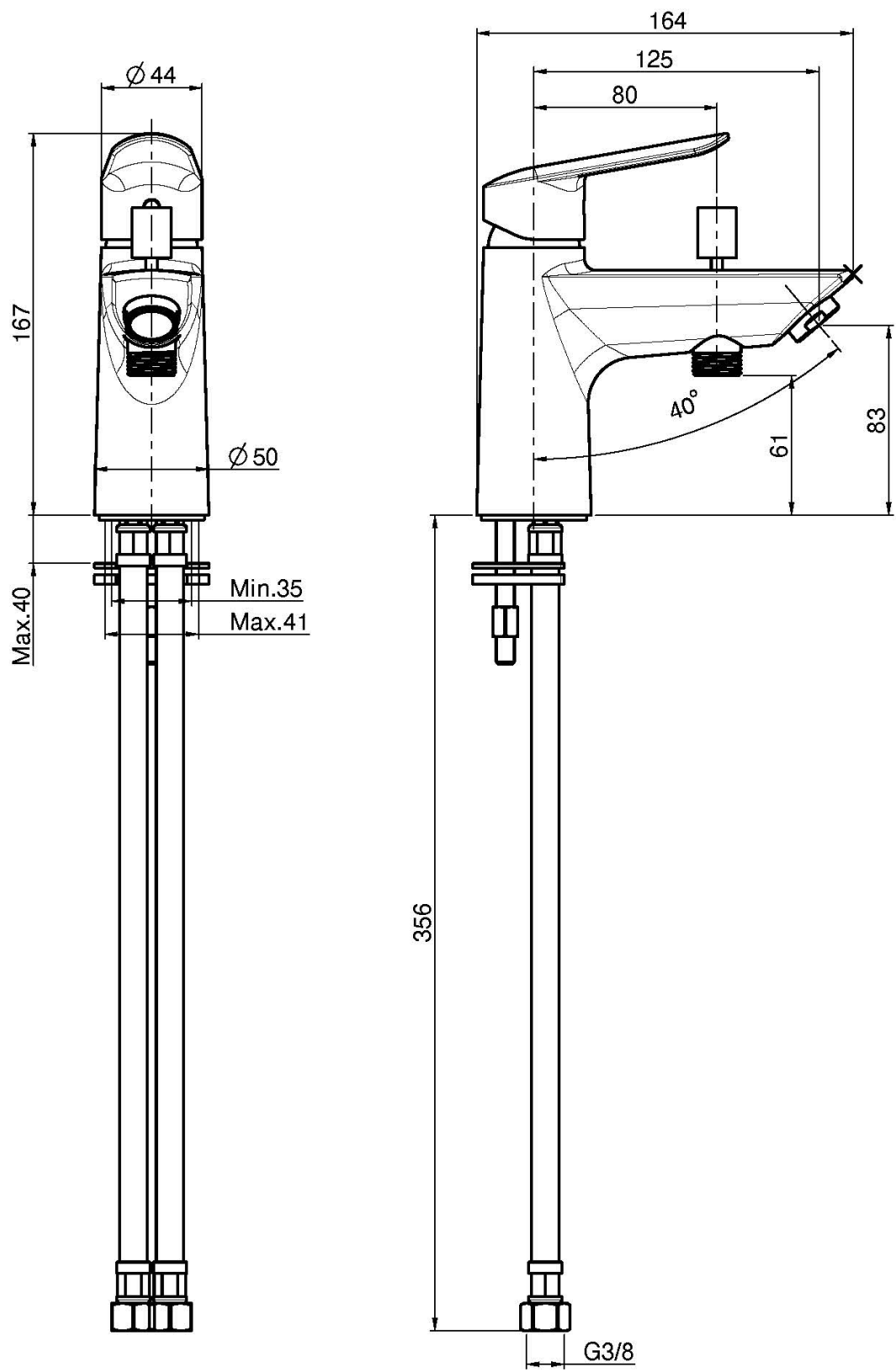
 WHITE MATT  
BS

 BLACK MATT  
NS

**IMAGE**



See the general sales conditions in our current pricelist



This drawing is the property of FIMA Carlo Frattini. Any complete or partial reproduction, or any transmission to third party without FIMA Carlo Frattini authorization is forbidden.