



Code F4181

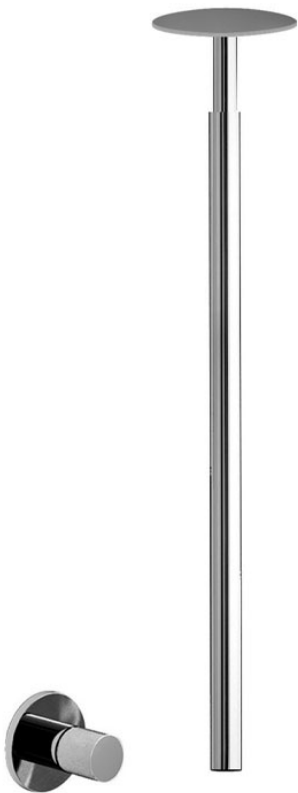
## BUILT-IN WASH BASIN MIXER WITH CEILING MOUNTED SPOUT

- minimum spout length 1300 mm
- maximum spout length 1600 mm
- exposed part only
- this product is without pop-up waste
- **built-in part to be ordered separately**

## Finishing

-  CHROM  
CR
-  HL
-  HS
-  BRUSHED NICKEL  
SN
-  BLACK CHROME  
CN
-  BRUSHED BLACK CHROME  
CS

## IMAGE



## PRODUCTS NEEDED TO BE ORDERED SEPARATELY

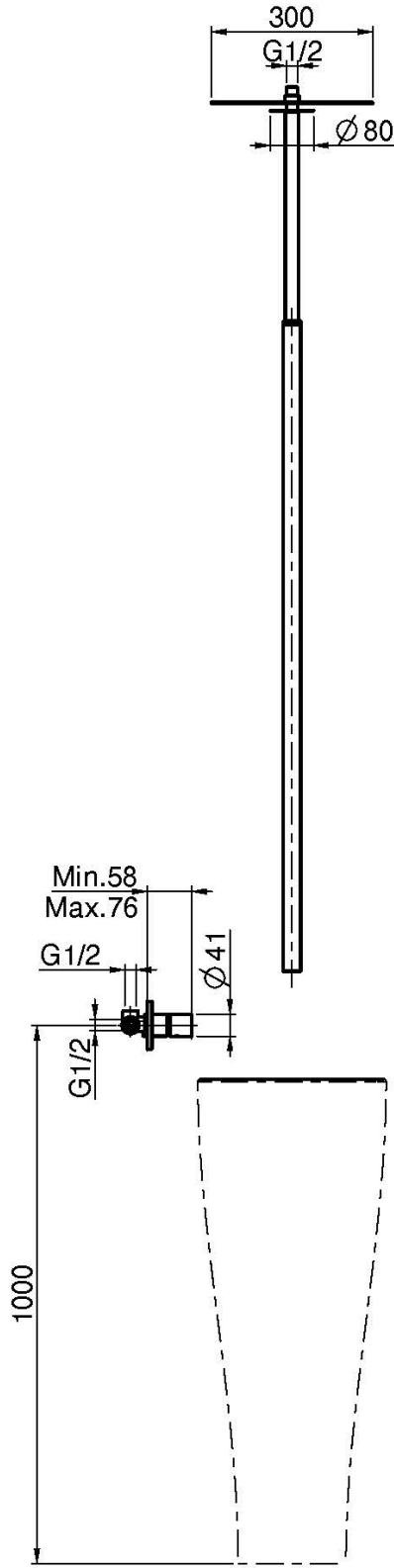
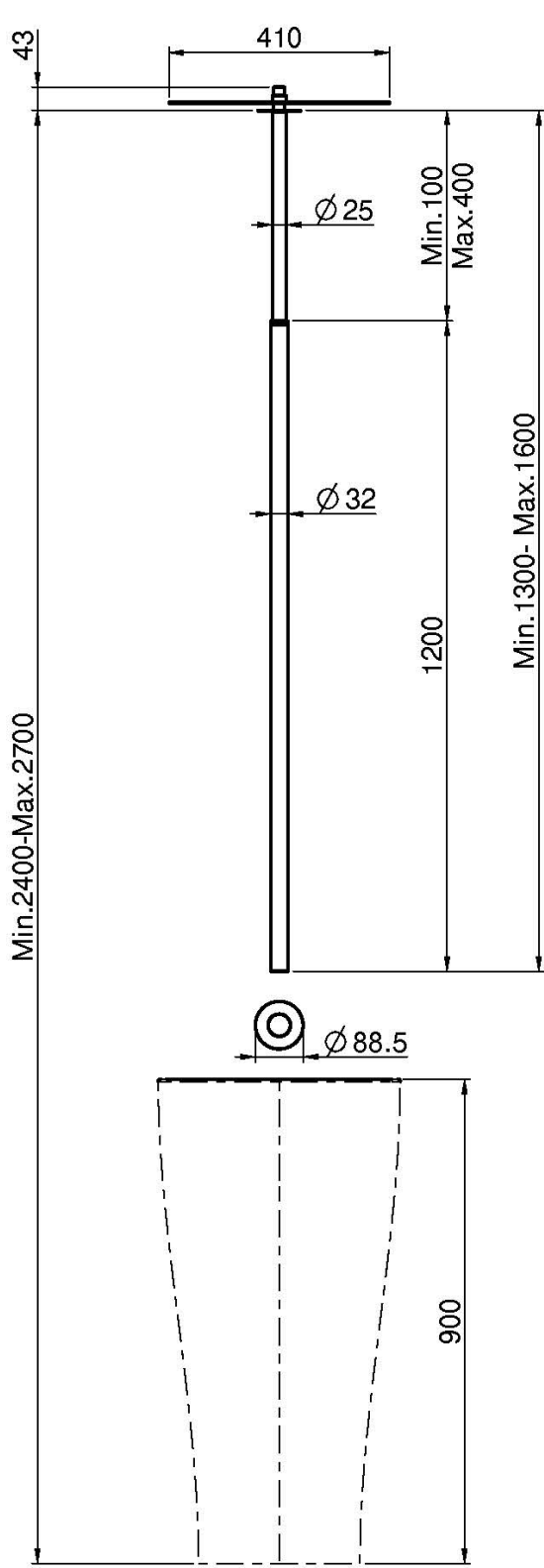
[Ceiling mounted cover plate](#)



[Built-in part](#)



See the general sales conditions in our current pricelist



This drawing is the property of FIMA Carlo Frattini. Any complete or partial reproduction, or any transmission to third party without FIMA Carlo Frattini authorization is forbidden.

