



Code F4181

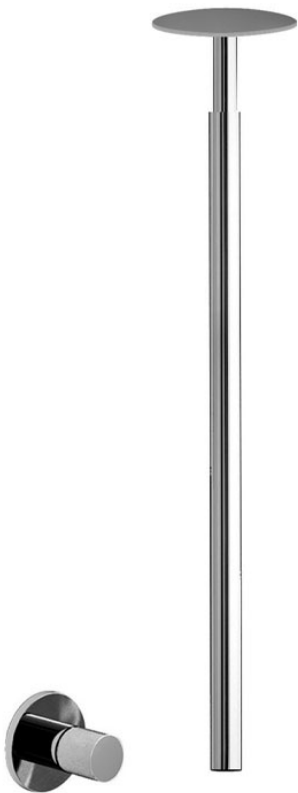
BUILT-IN WASH BASIN MIXER WITH CEILING MOUNTED SPOUT

- minimum spout length 1300 mm
- maximum spout length 1600 mm
- exposed part only
- this product is without pop-up waste
- **built-in part to be ordered separately**

Finishing

-  CHROM
CR
-  HL
-  HS
-  BRUSHED NICKEL
SN
-  BLACK CHROME
CN
-  BRUSHED BLACK CHROME
CS

IMAGE



PRODUCTS NEEDED TO BE ORDERED SEPARATELY

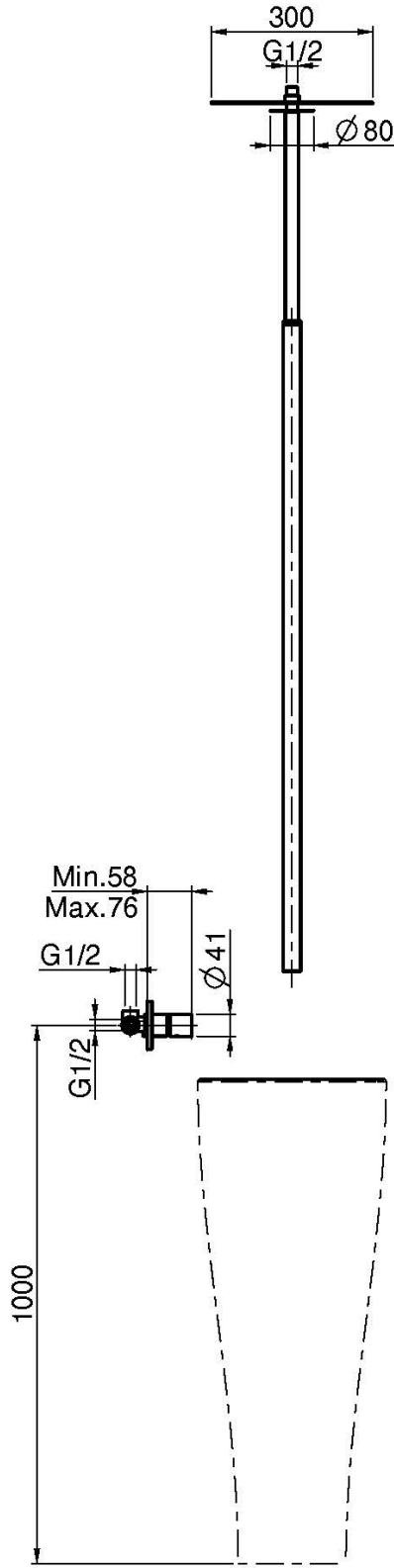
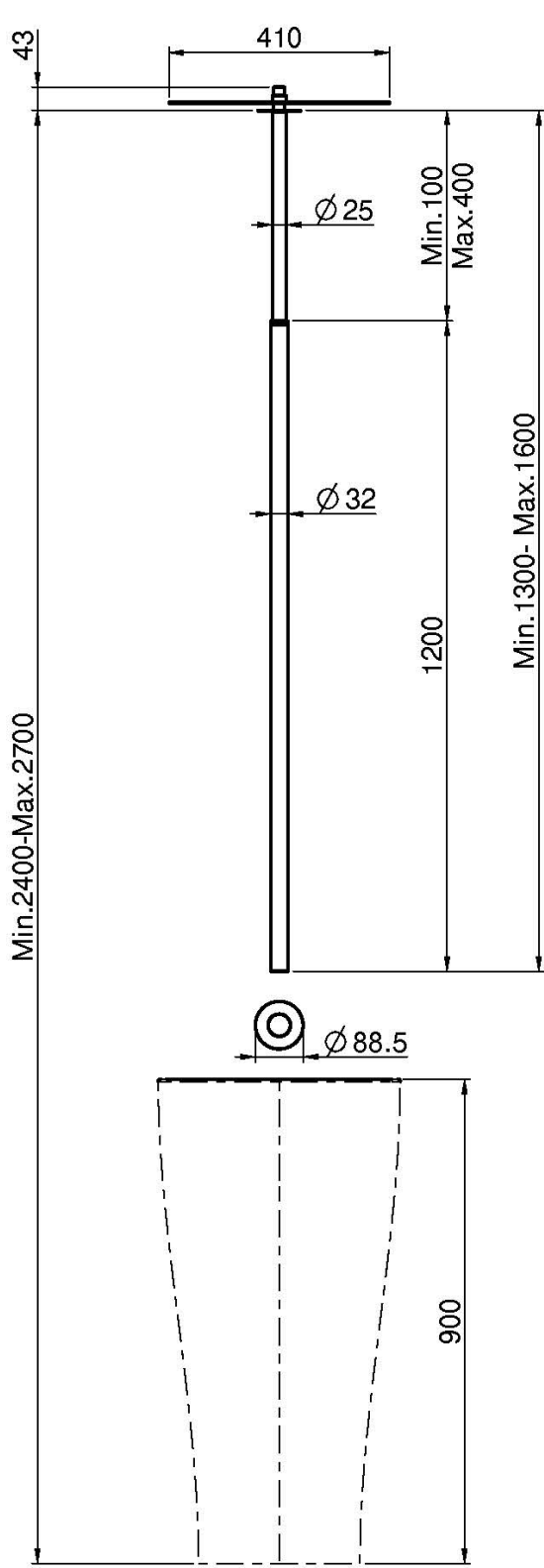
[Ceiling mounted cover plate](#)



[Built-in part](#)



See the general sales conditions in our current pricelist



This drawing is the property of FIMA Carlo Frattini. Any complete or partial reproduction, or any transmission to third party without FIMA Carlo Frattini authorization is forbidden.

