

Code F3074/1

DECK MOUNTED BATH MIXER

- double mixer
- shower holder
- stainless steel handshower
- 1500 mm nylon flexible hose

Finishing

 INOX
INOX

PRODUCTS NEEDED TO BE ORDERED SEPARATELY

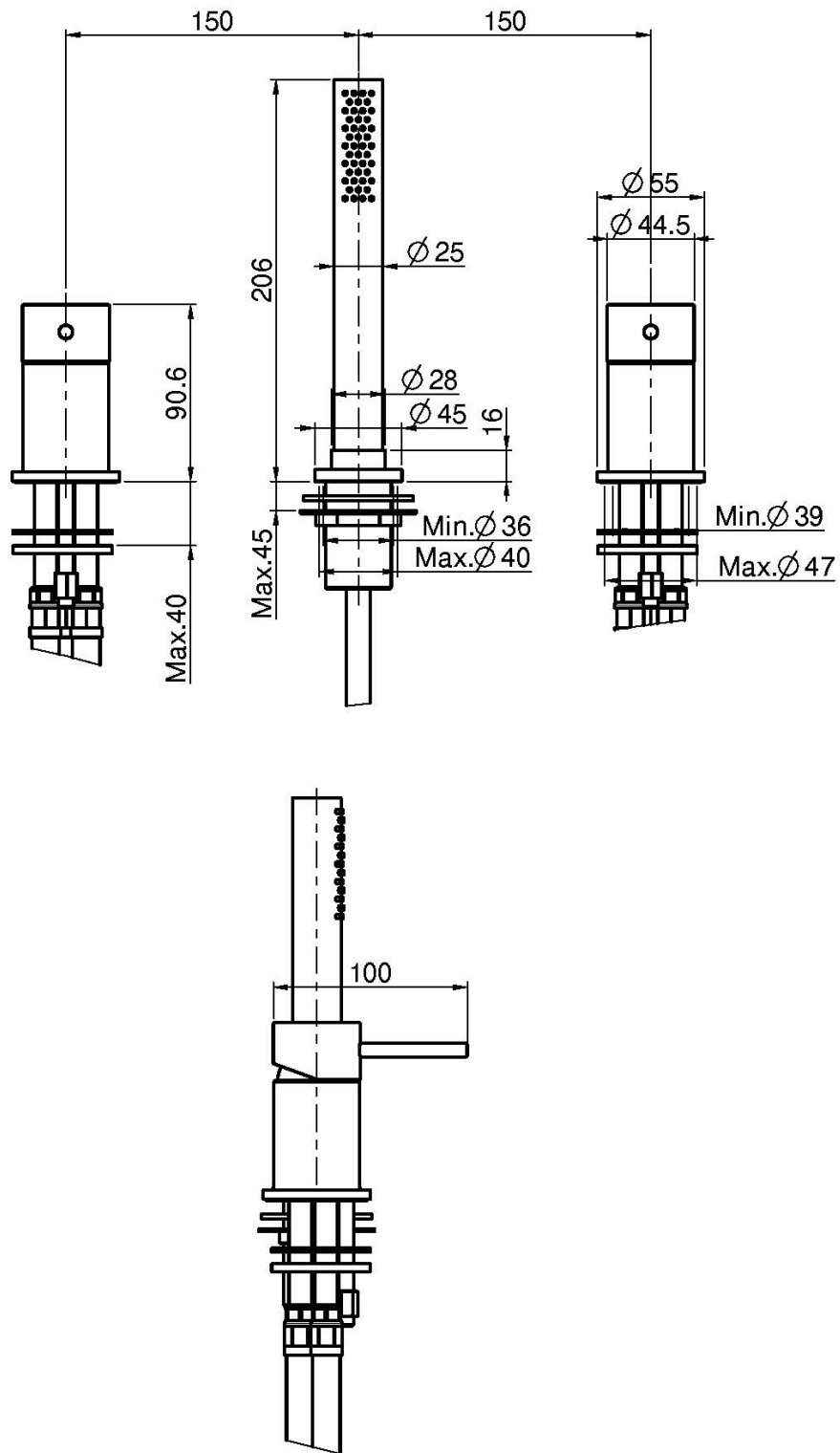
[Inox cover plate](#)



IMAGE



See the general sales conditions in our current pricelist



This drawing is the property of FIMA Carlo Frattini. Any complete or partial reproduction, or any transmission to third party without FIMA Carlo Frattini authorization is forbidden.

