

Code F3834

## EXPOSED BATH MIXER WITH SHOWER SET

- n. 2 eccentric couplings 1/2"
- handshower with antilimestone nozzles
- diverter
- chromalux flexible hose 1500 mm
- shower holder

## Finishing

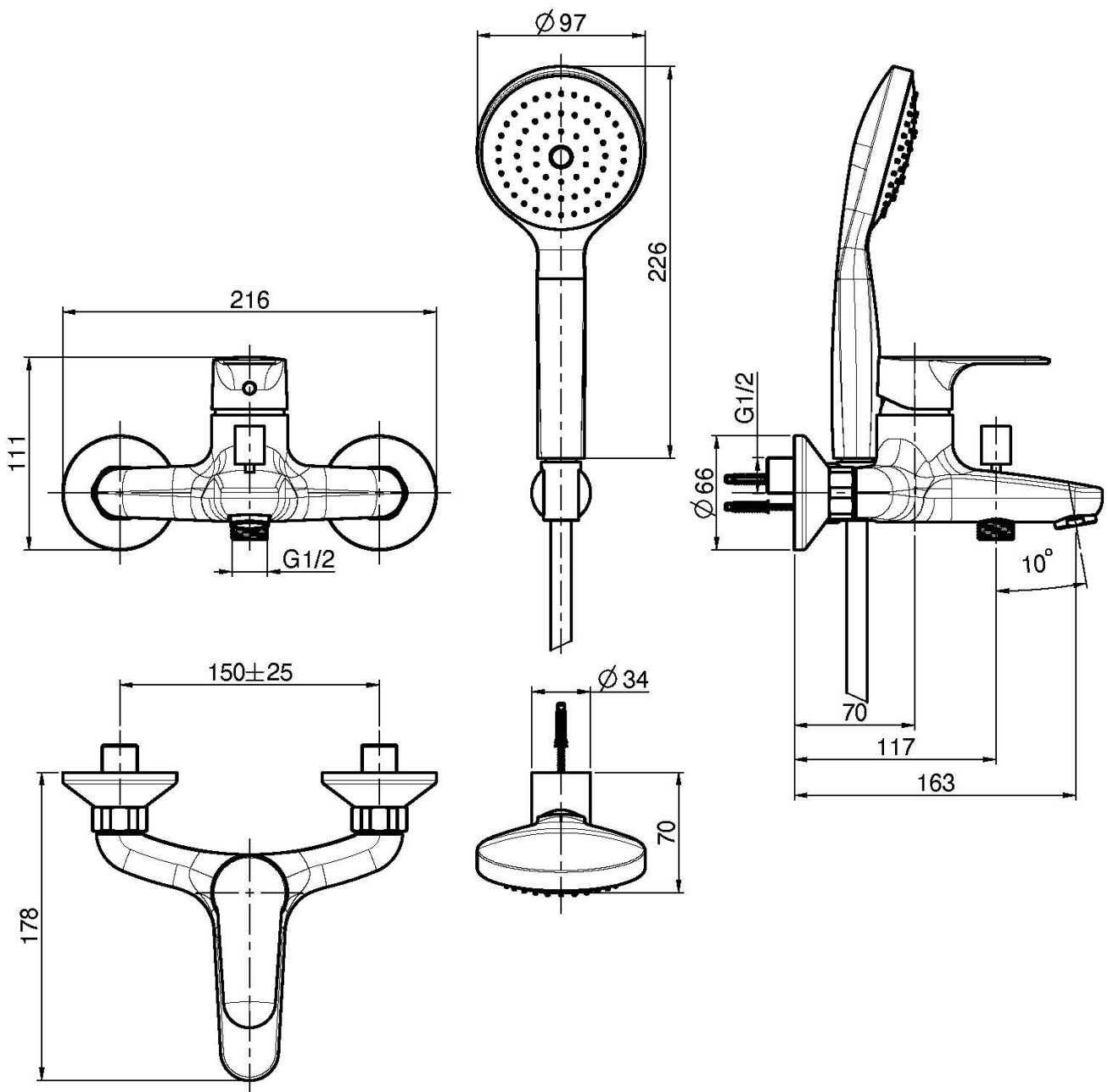
 CHROM  
CR

 BLACK MATT  
NS

## IMAGE



See the general sales conditions in our current pricelist



This drawing is the property of FIMA Carlo Frattini. Any complete or partial reproduction, or any transmission to third party without FIMA Carlo Frattini authorization is forbidden.