

Code F3764

EXPOSED BATH MIXER WITH SHOWER SET

- n. 2 eccentric couplings 1/2"
- handshower with antilimestone nozzles
- shower holder
- diverter
- chromalux flexible hose 1500 mm

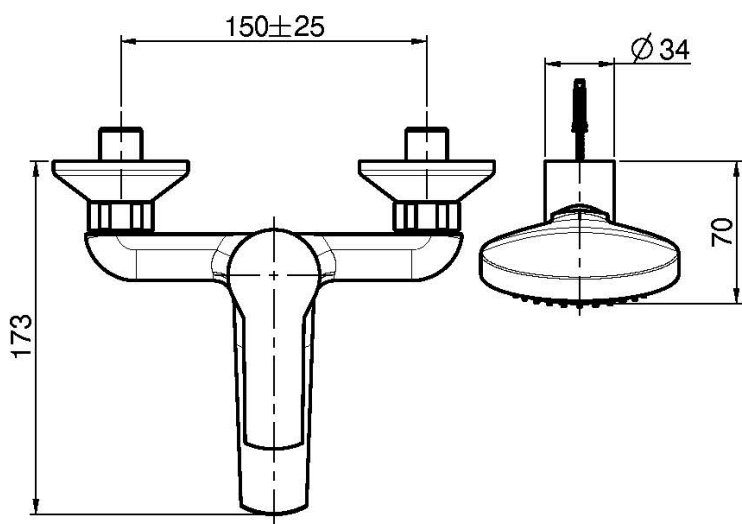
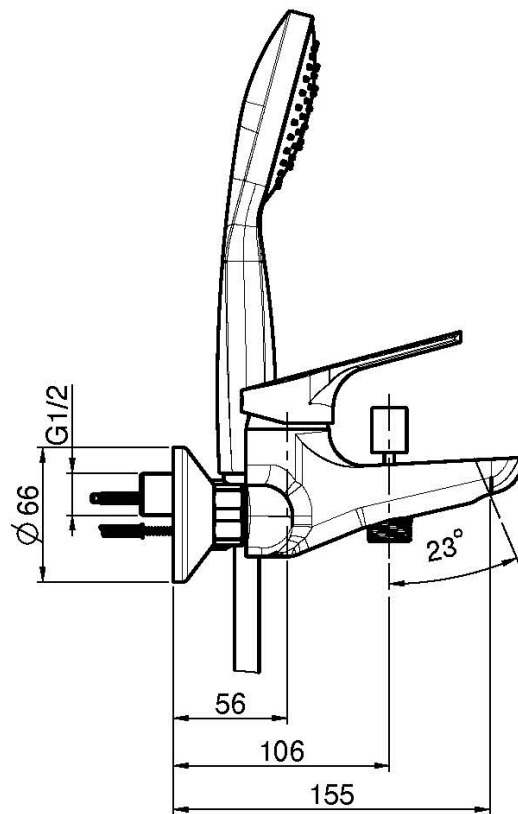
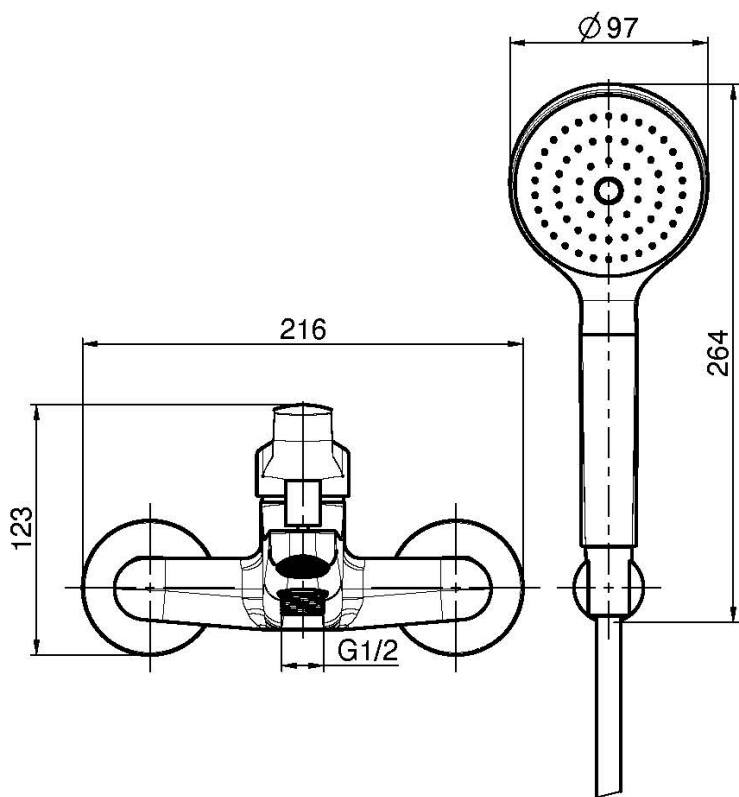
Finishing

 CHROM
CR

IMAGE



See the general sales conditions in our current pricelist



This drawing is the property of FIMA Carlo Frattini. Any complete or partial reproduction, or any transmission to third party without FIMA Carlo Frattini authorization is forbidden.