

Code F3134

## EXPOSED BATH MIXER WITH SHOWER SET

- n. 2 eccentric couplings 1/2"
- shower holder
- handshower with antilimestone nozzles
- diverter
- chromalux flexible hose 1500 mm

## IMAGE

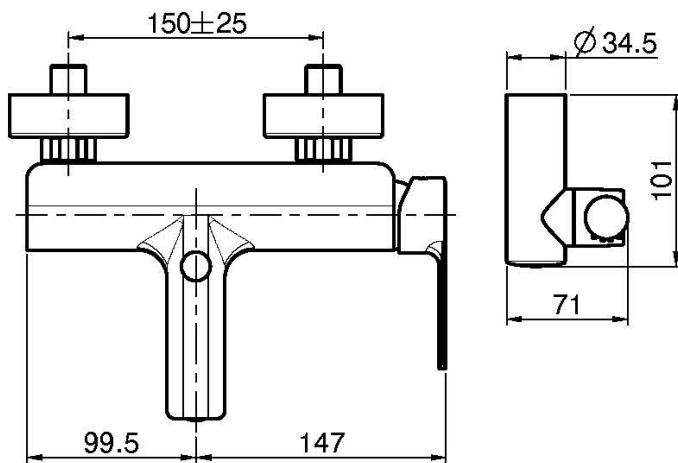
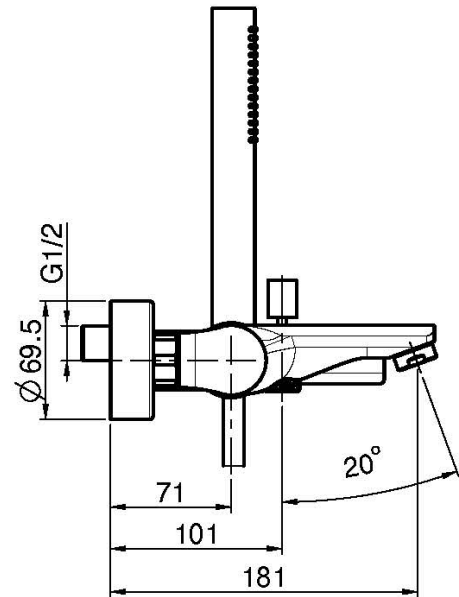
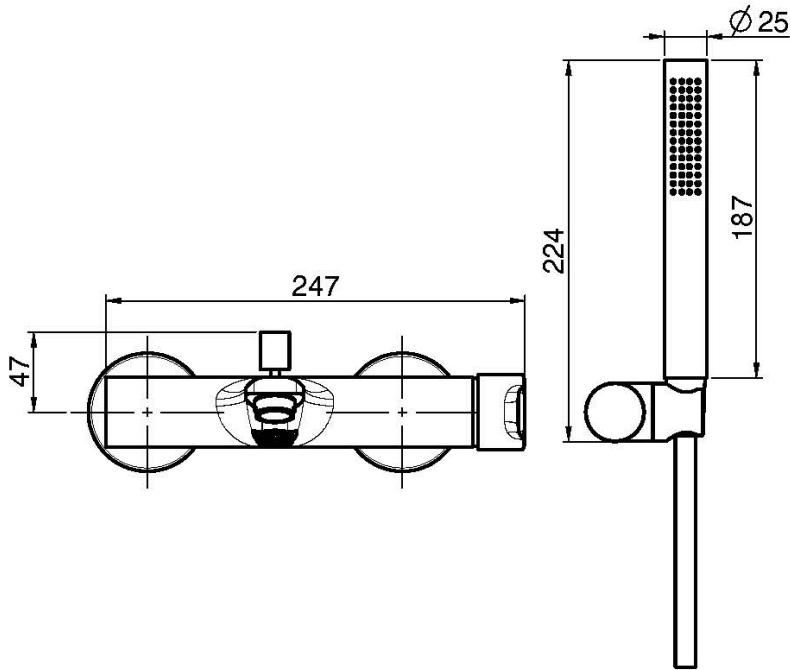


## Finishing

-  CHROM  
CR
-  BRUSHED NICKEL  
SN
-  BLACK CHROME  
CN
-  BRUSHED BLACK CHROME  
CS
-  WHITE MATT  
BS
-  BLACK MATT  
NS
-  GOLD  
OR
-  BRUSHED GOLD  
OS



See the general sales conditions in our current pricelist



This drawing is the property of FIMA Carlo Frattini. Any complete or partial reproduction, or any transmission to third party without FIMA Carlo Frattini authorization is forbidden.