

Code F3384

EXPOSED BATH MIXER WITH SHOWER SET

- n. 2 eccentric couplings 1/2"
- diverter
- shower holder
- chromalux flexible hose 1500 mm

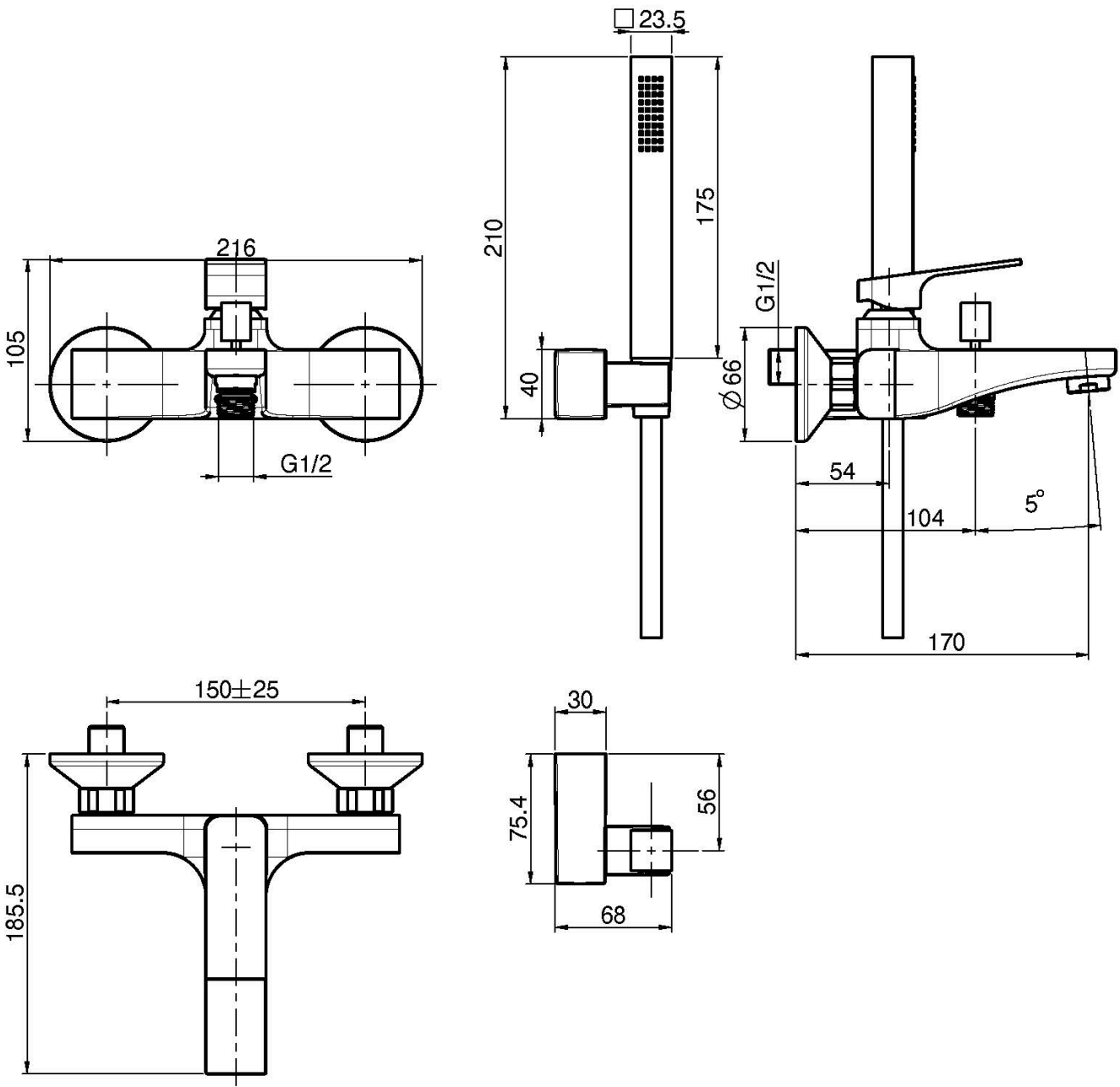
Finishing

-  CHROM
CR
-  BRUSHED NICKEL
SN
-  WHITE MATT
BS
-  BLACK MATT
NS

IMAGE



See the general sales conditions in our current pricelist



This drawing is the property of FIMA Carlo Frattini. Any complete or partial reproduction, or any transmission to third party without FIMA Carlo Frattini authorization is forbidden.