

Code F3165/RP251

EXPOSED MECHANICAL SHOWER MIXER WITH SHOWER COLUMN, SHOWERHEAD AND SHOWER SET

- mechanical column
- **cuttable height column**
- n. 2 eccentric couplings 1/2"
- ABS showerhead Ø 250 mm
- handshower with antilimestone nozzles
- **ABS handles**
- diverting handle
- chromalux flexible hose 1500 mm

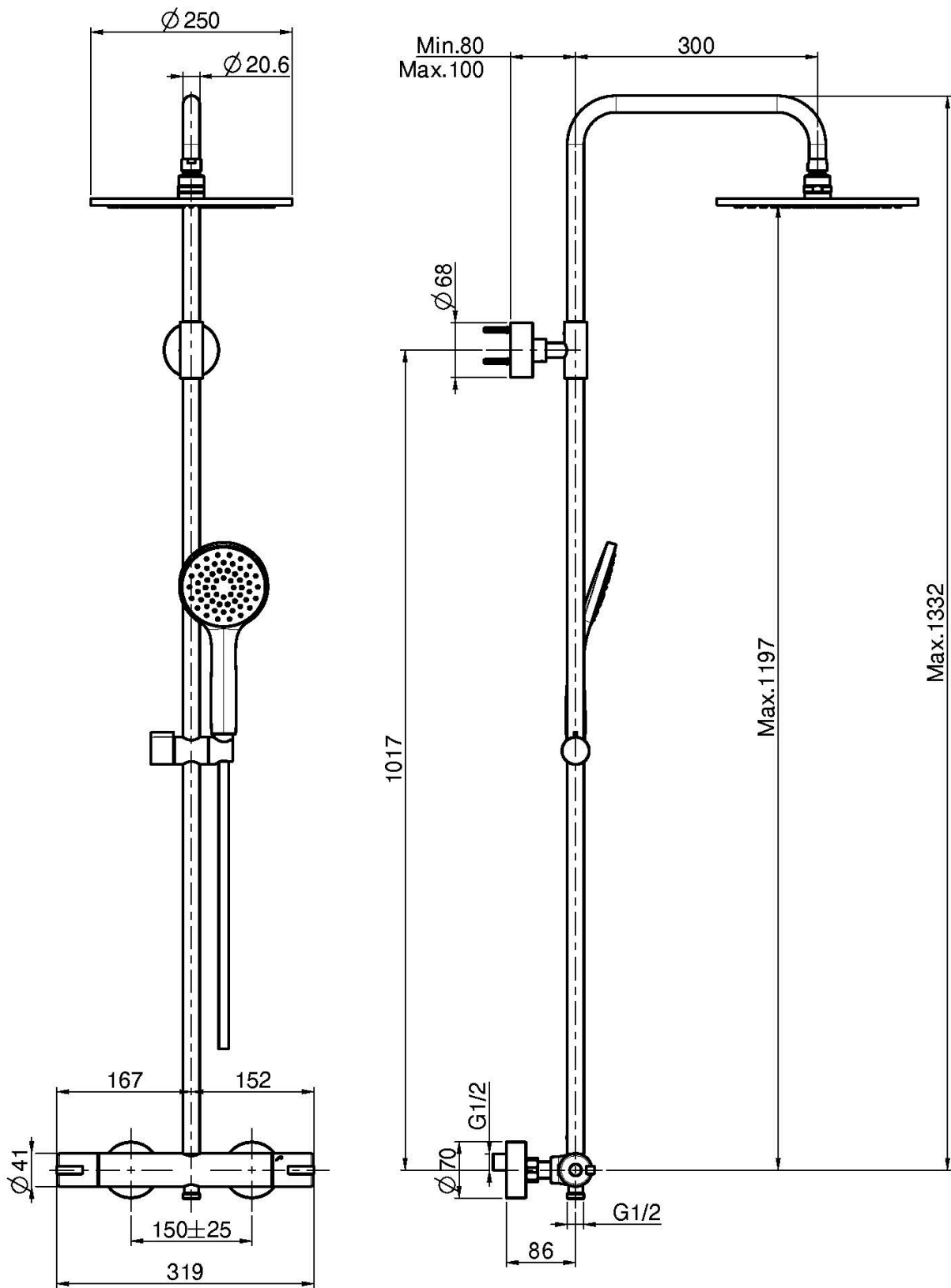
Finishing

 CHROM
CR

IMAGE



See the general sales conditions in our current pricelist



This drawing is the property of FIMA Carlo Frattini. Any complete or partial reproduction, or any transmission to third party without FIMA Carlo Frattini authorization is forbidden.