

Code F2287/7

EXPOSED SHOWER SET

- shower holder with water connection
- handshower with antilimestone nozzles
- brass flex hose 1500 mm

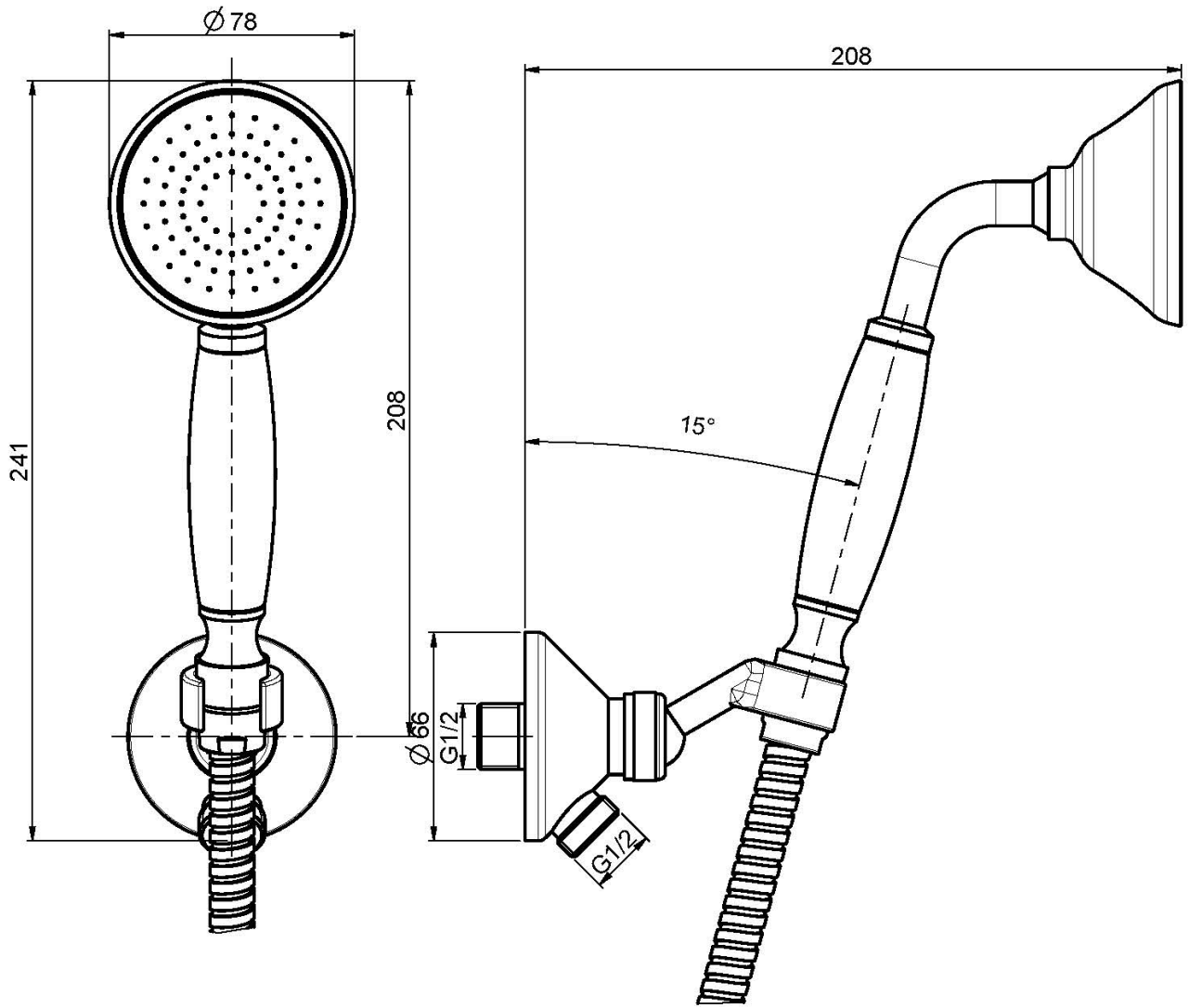
Finishing

-  CHROM
CR
-  BRUSHED NICKEL
SN
-  GOLD
OR
-  BRUSHED GOLD
OS
-  OLD BRONZE
BR
-  ANTIQUE COPPER
RA

IMAGE



See the general sales conditions in our current pricelist



This drawing is the property of FIMA Carlo Frattini. Any complete or partial reproduction, or any transmission to third party without FIMA Carlo Frattini authorization is forbidden.