

Code F5085

EXPOSED SHOWER TAP WITH SHOWER SET

- n. 2 eccentric couplings 1/2"
- brass flex hose 1500 mm
- handshower with antilimestone nozzles
- shower holder

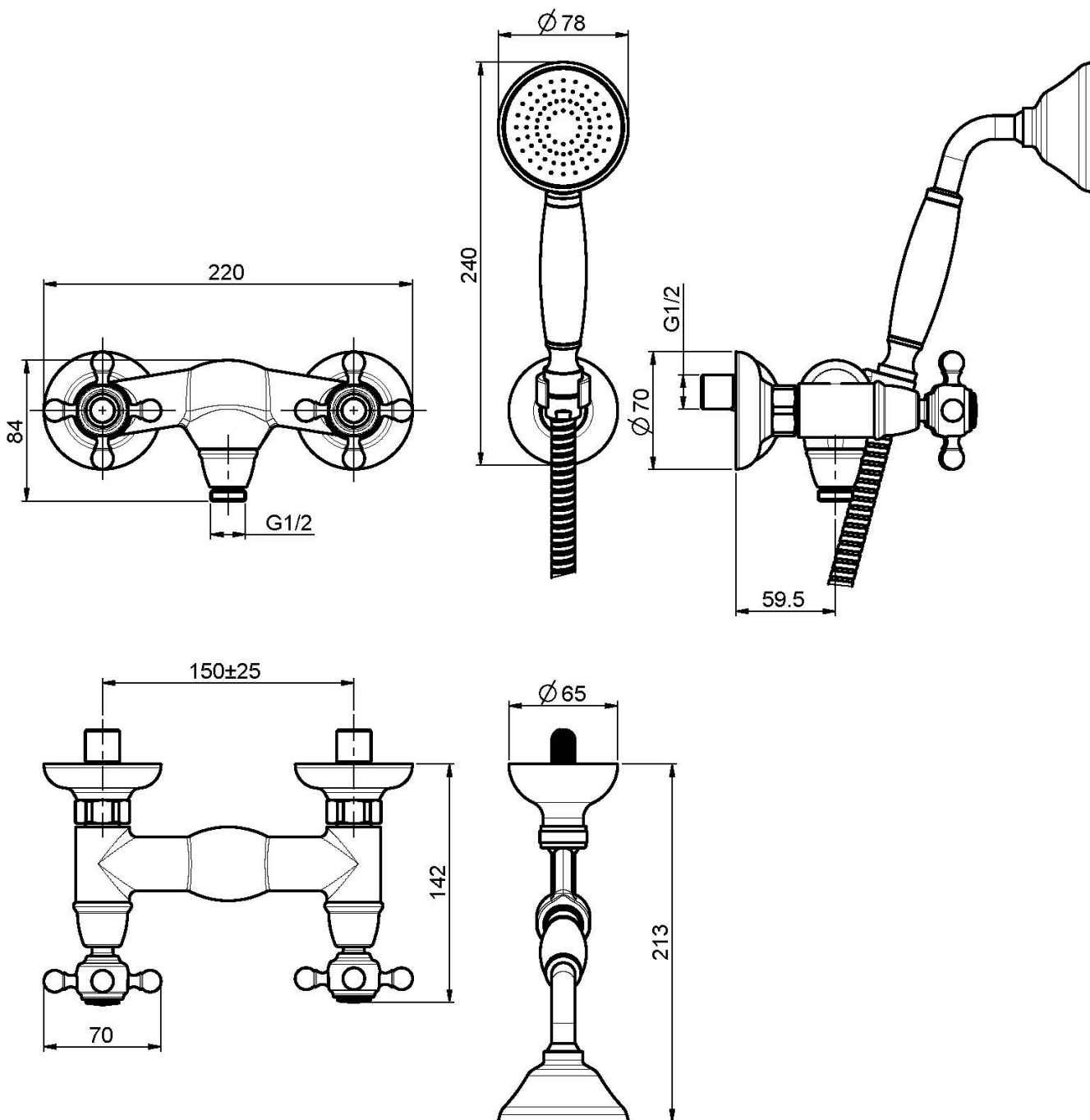
Finishing

-  CHROM
CR
-  BRUSHED NICKEL
SN
-  GOLD
OR
-  BRUSHED GOLD
OS
-  OLD BRONZE
BR
-  ANTIQUE COPPER
RA

IMAGE



See the general sales conditions in our current pricelist



This drawing is the property of FIMA Carlo Frattini. Any complete or partial reproduction, or any transmission to third party without FIMA Carlo Frattini authorization is forbidden.