

Code F5605/1





EXPOSED SHOWER TAP WITHOUT SHOWER SET

- COVER TO BE ORDERED SEPARATELY
- n. 2 eccentric couplings 1/2"











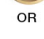
IMAGE



Texture

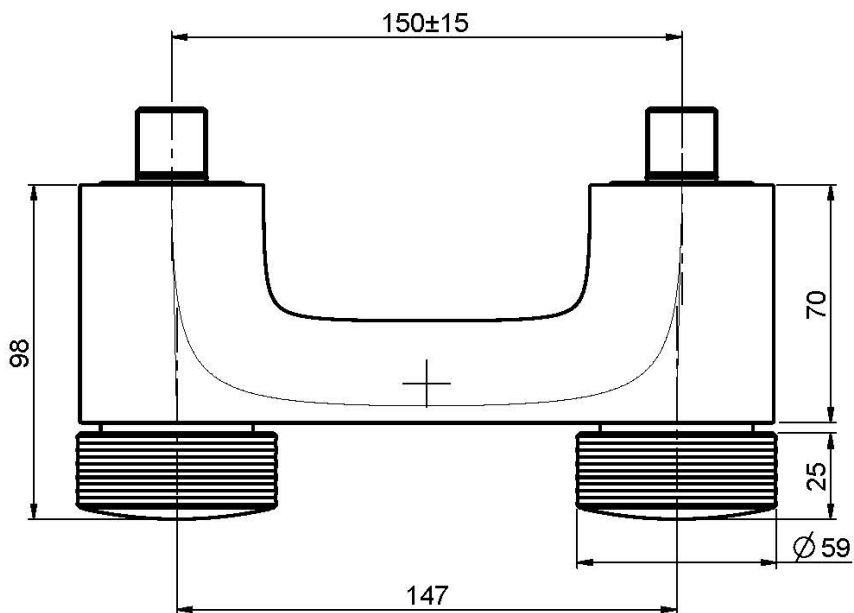
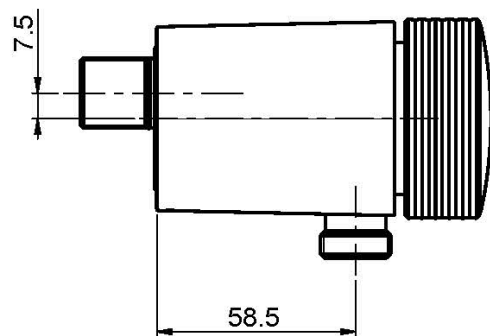
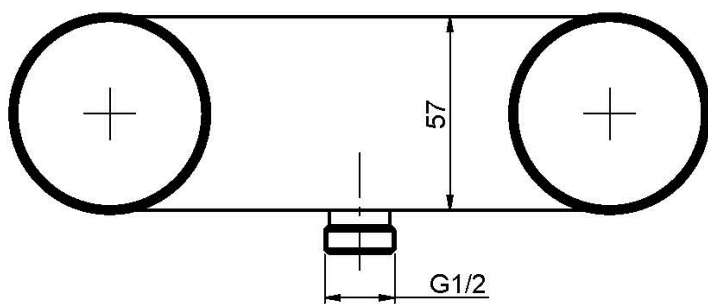
-  H COLLECTION
-  V COLLECTION
-  V COLLECTION
-  X COLLECTION

Finishing

-  CHROM
CR
-  HL
-  HS
-  ZL
-  ZS
-  BRUSHED NICKEL
SN
-  BLACK CHROME
CN
-  BRUSHED BLACK CHROME
CS
-  WHITE MATT
BS
-  BLACK MATT
NS
-  GOLD
OR
-  BRUSHED GOLD
OS



See the general sales conditions in our current pricelist



This drawing is the property of FIMA Carlo Frattini. Any complete or partial reproduction, or any transmission to third party without FIMA Carlo Frattini authorization is forbidden.