

Code F4244/1

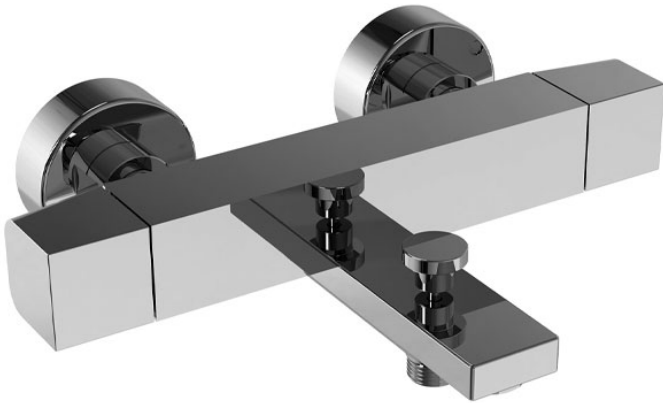
EXPOSED THERMOSTATIC BATH MIXER WITHOUT SHOWER SET

- n. 2 eccentric couplings 1/2"
- diverting handle

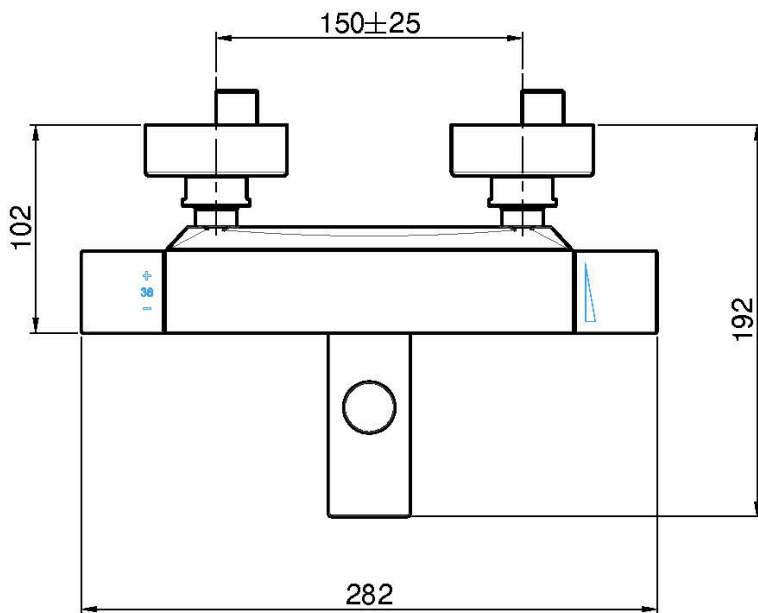
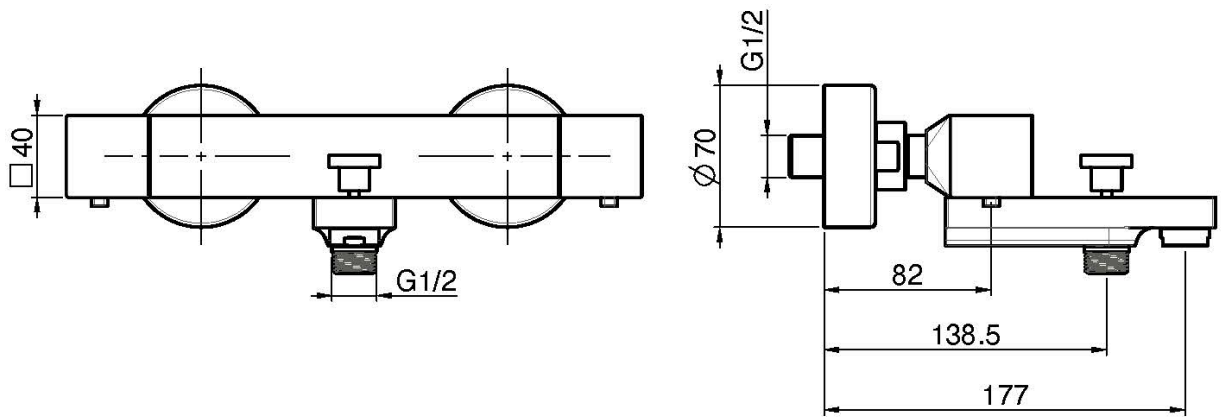
Finishing

-  CHROM
CR
-  BRUSHED NICKEL
SN
-  WHITE MATT
BS
-  BLACK MATT
NS

IMAGE



See the general sales conditions in our current pricelist



This drawing is the property of FIMA Carlo Frattini. Any complete or partial reproduction, or any transmission to third party without FIMA Carlo Frattini authorization is forbidden.