

Code F4074/1

**EXPOSED THERMOSTATIC BATH MIXER
WITHOUT SHOWER SET**

- n. 2 eccentric couplings 1/2"
- diverting handle

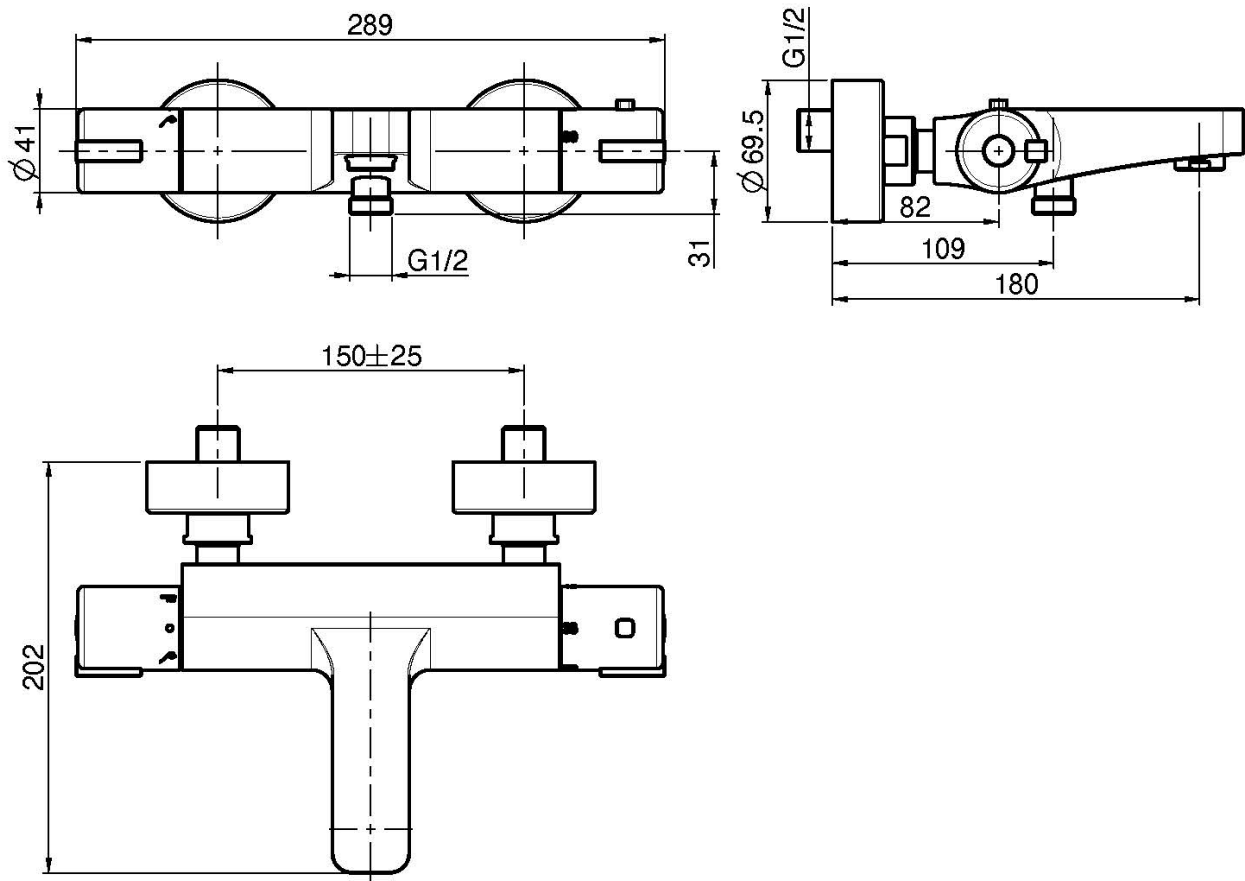
Finishing

 CHROM
CR

IMAGE



See the general sales conditions in our current pricelist



This drawing is the property of FIMA Carlo Frattini. Any complete or partial reproduction, or any transmission to third party without FIMA Carlo Frattini authorization is forbidden.