

Code F4885/RP253

**EXPOSED THERMOSTATIC SHOWER MIXER  
WITH SHOWER COLUMN, SHOWERHEAD  
AND SHOWER SET**

- adjustable height column
- n. 2 eccentric couplings 1/2"
- handshower with antilimestone nozzles
- ABS showerhead Ø 250 mm
- **ABS handles**
- chromalux flexible hose 1500 mm
- COLD BODY

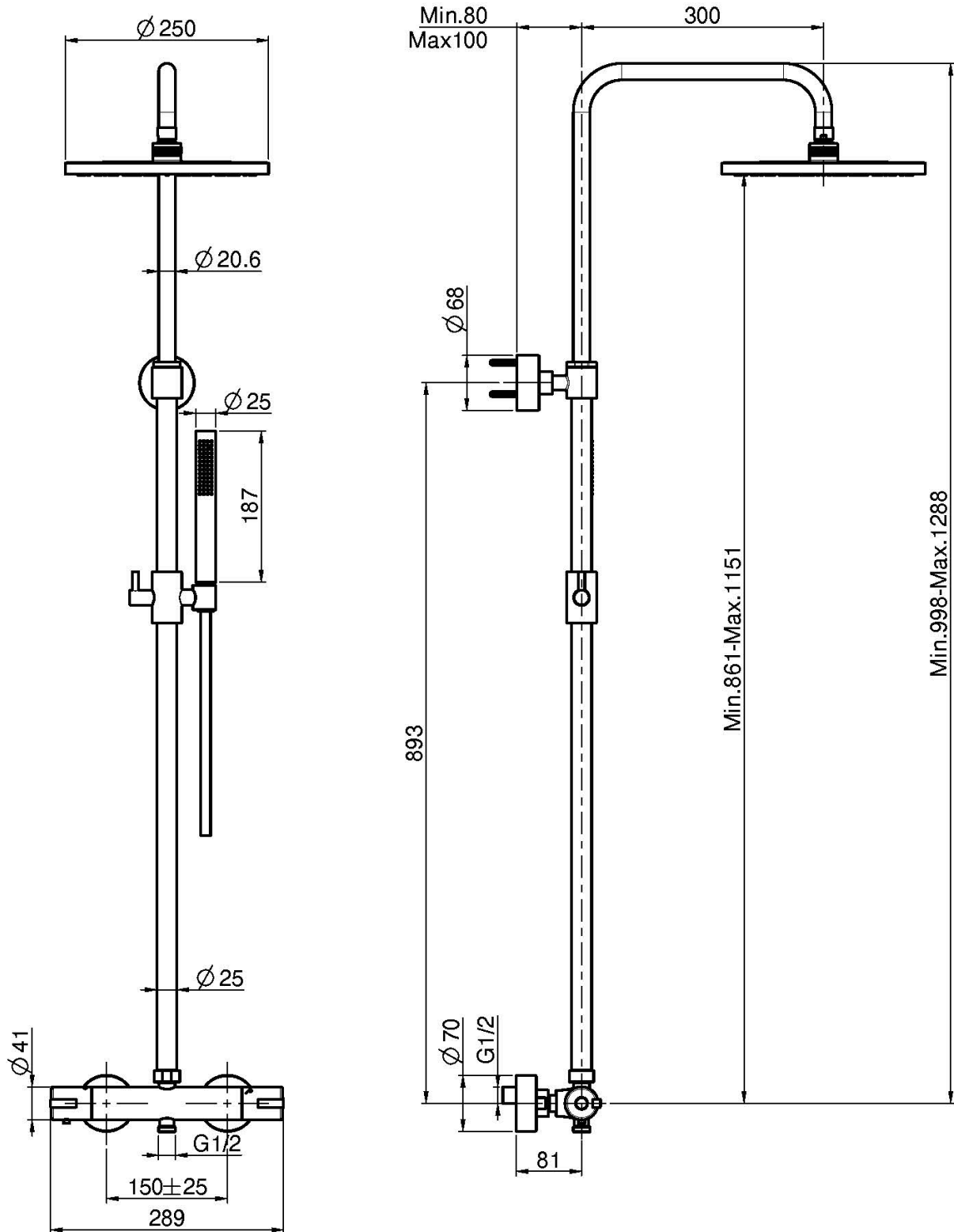
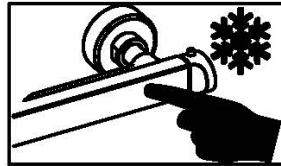
Finishing

 CHROM  
CR

IMAGE



See the general sales conditions in our current pricelist



This drawing is the property of FIMA Carlo Frattini. Any complete or partial reproduction, or any transmission to third party without FIMA Carlo Frattini authorization is forbidden.