

Code F2623

**EXPOSED WATERFALL WALL-MOUNTED**

- cascade flow

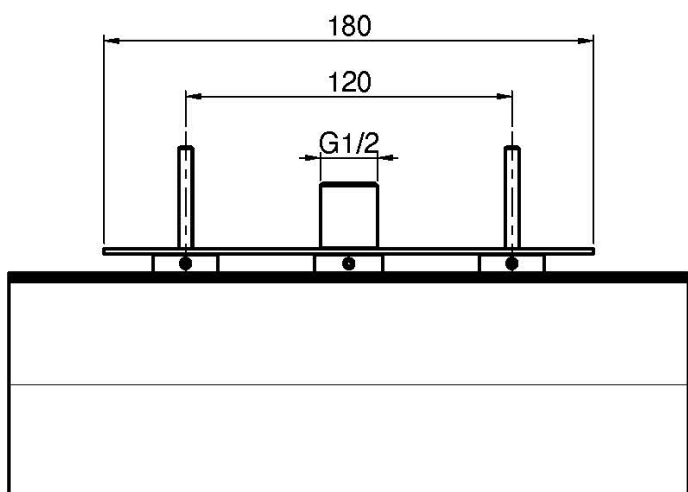
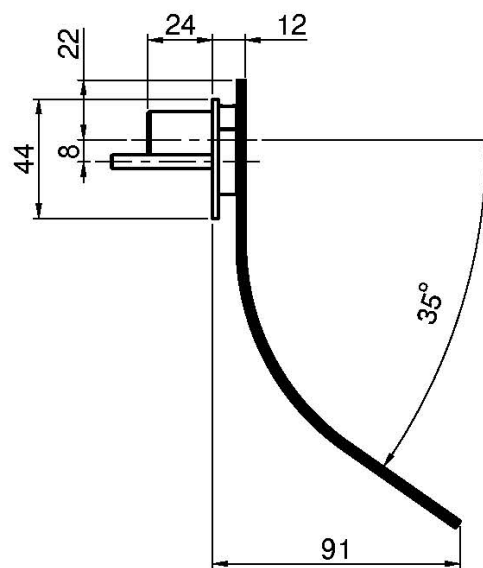
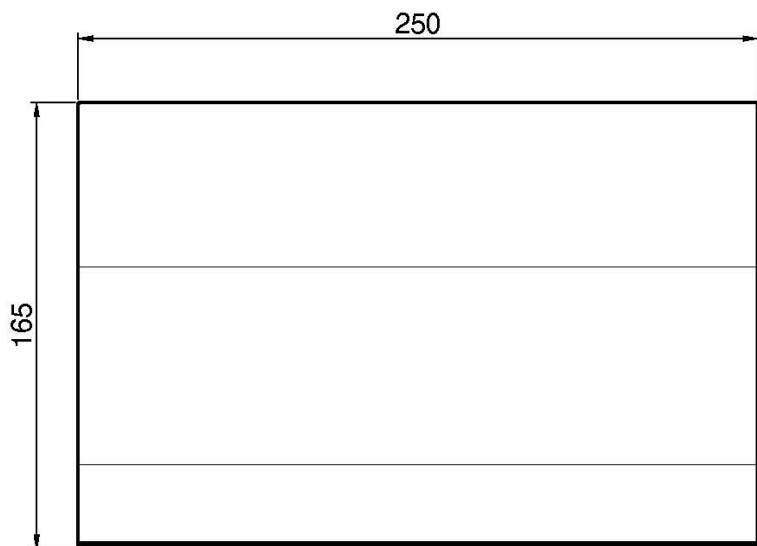
**Finishing**

 CHROM  
CR

**IMAGE**



See the general sales conditions in our current pricelist



This drawing is the property of FIMA Carlo Frattini. Any complete or partial reproduction, or any transmission to third party without FIMA Carlo Frattini authorization is forbidden.