

Code F5054/4

FLOOR MOUNTED BATH TAP ON RISERS WITH SHOWER SET

- brass flex hose 1500 mm
- pair of standpipes M 1/2"
- handshower with antilimestone nozzles
- diverter
- **built-in part to be ordered separately**

Finishing

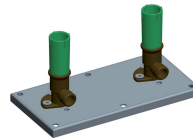
-  CHROM
CR
-  BRUSHED NICKEL
SN
-  GOLD
OR
-  BRUSHED GOLD
OS
-  OLD BRONZE
BR
-  ANTIQUE COPPER
RA

IMAGE

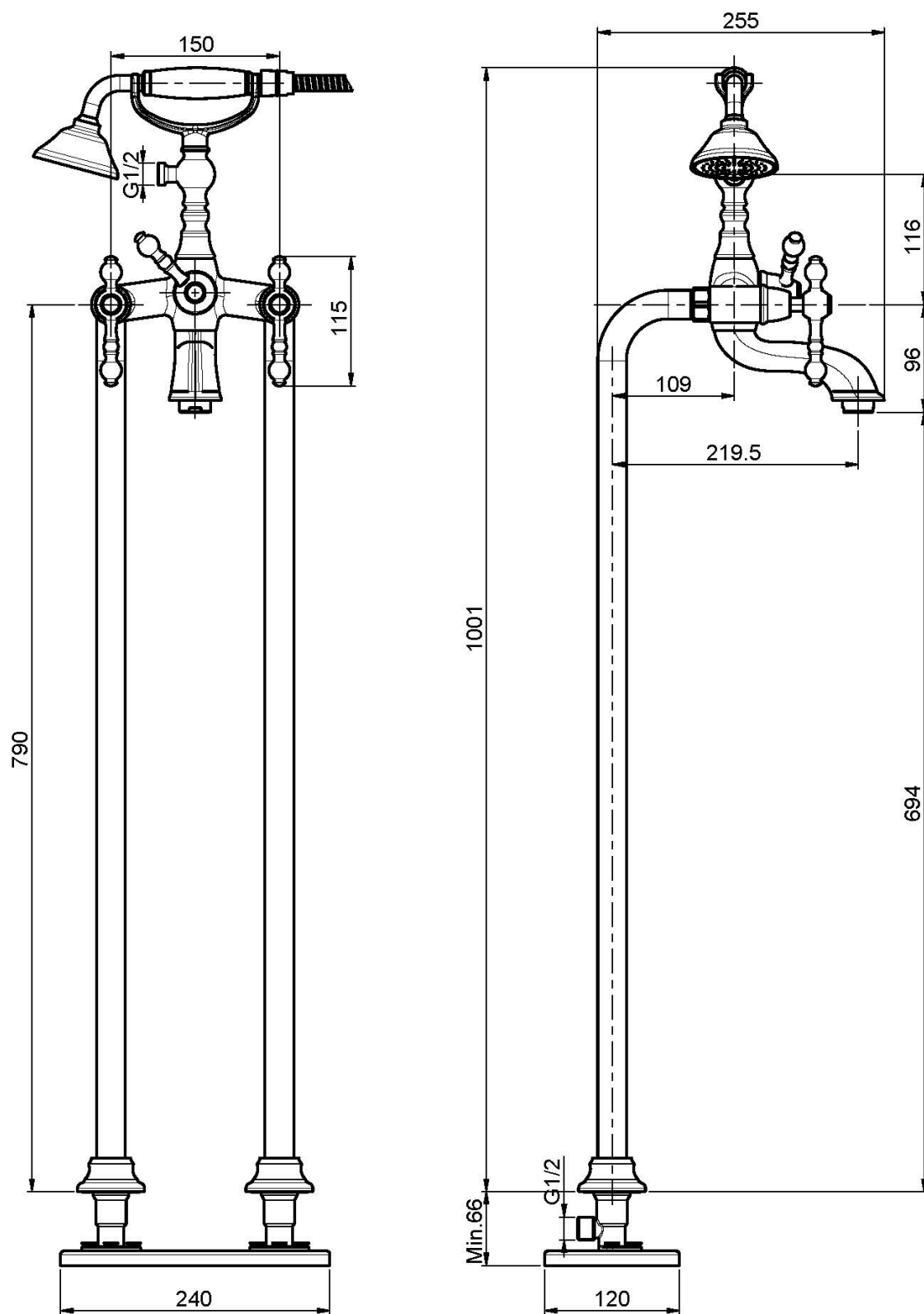


PRODUCTS NEEDED TO BE ORDERED SEPARATELY

[Built-in part](#)



See the general sales conditions in our current pricelist



This drawing is the property of FIMA Carlo Frattini. Any complete or partial reproduction, or any transmission to third party without FIMA Carlo Frattini authorization is forbidden.

