

Code F5087

KITCHEN MIXER ELIZABETH

- n. 2 flexible hoses
- swivel spout

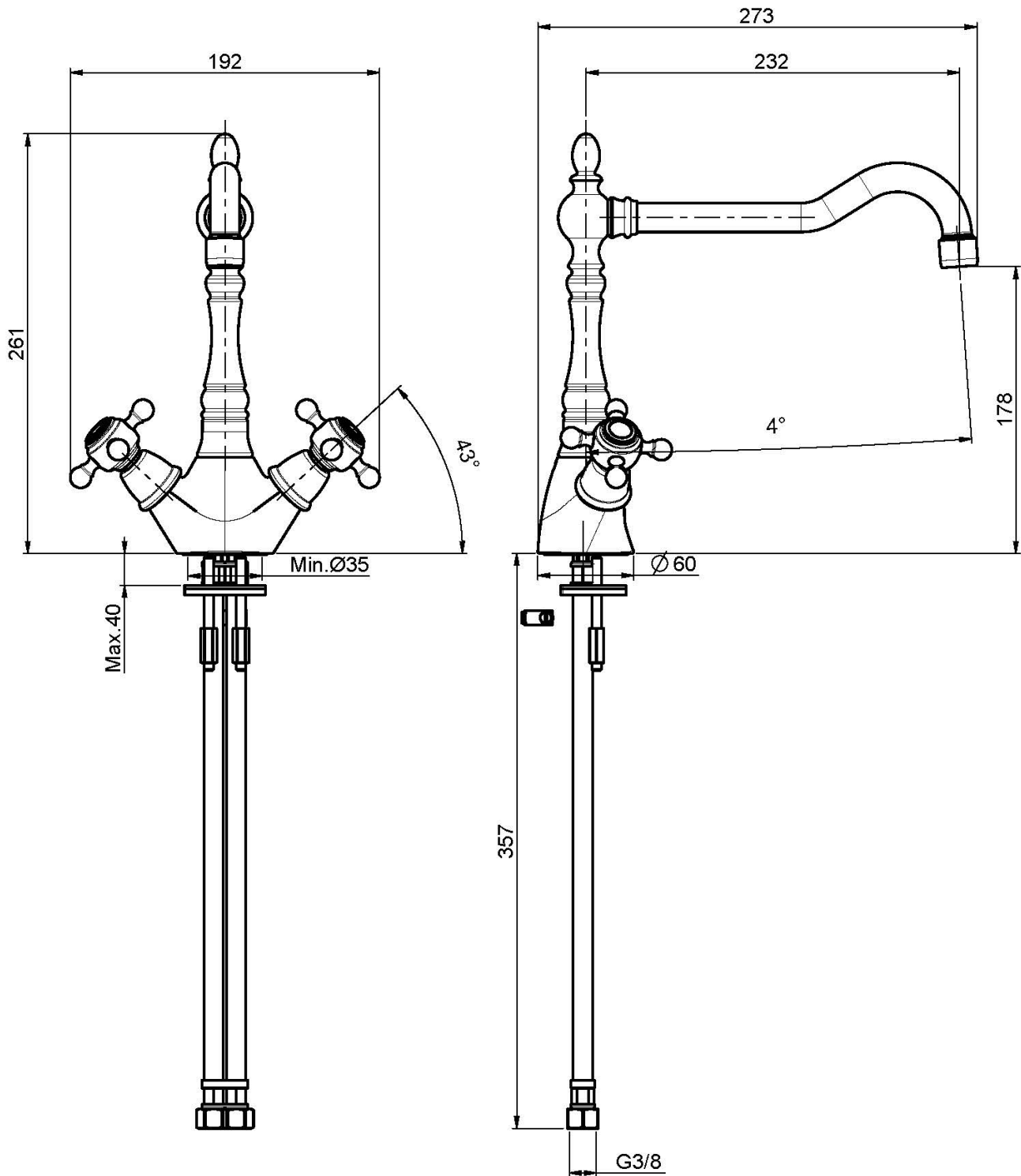
Finishing

-  CHROM
CR
-  BRUSHED NICKEL
SN
-  GOLD
OR
-  OLD BRONZE
BR
-  ANTIQUE COPPER
RA

IMAGE



See the general sales conditions in our current pricelist



This drawing is the property of FIMA Carlo Frattini. Any complete or partial reproduction, or any transmission to third party without FIMA Carlo Frattini authorization is forbidden.