

Code F3207ND

LOW PRESSURE KITCHEN MIXER

- for undersink instantaneous electric water heaters
- No. 1 connecting hose tap-water heater 500 mm
- No. 1 cold water supply hose 350 mm with flow rate limiter 6 l/min.

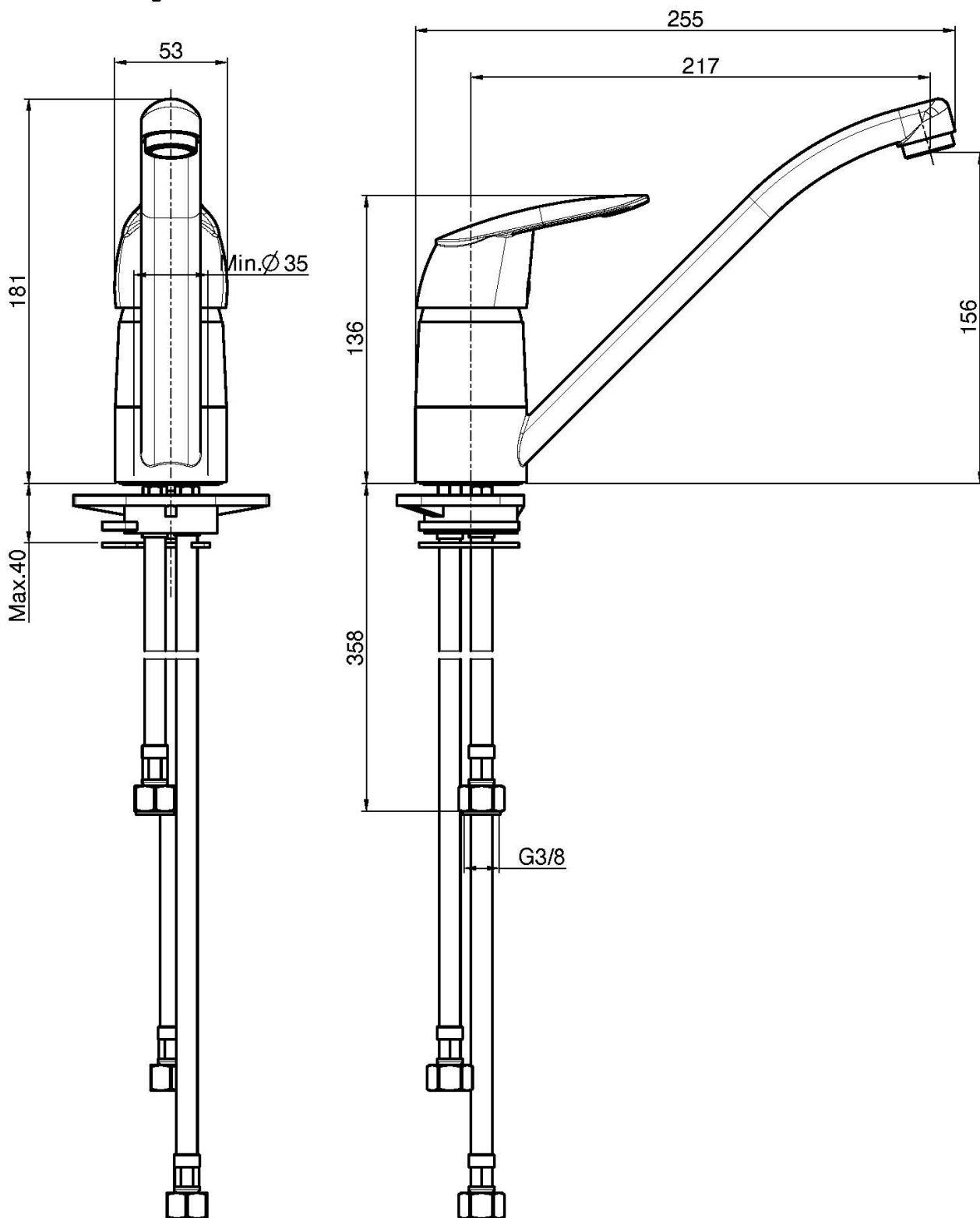
Finishing

 CHROM
CR

IMAGE



See the general sales conditions in our current pricelist



This drawing is the property of FIMA Carlo Frattini. Any complete or partial reproduction, or any transmission to third party without FIMA Carlo Frattini authorization is forbidden.