

Code F5916

O3 SHOWERHEAD

- outside holder version
- 1 laminar jet
- 10 l/min minimum consumption
- rotation 90°
- stainless steel

IMAGE

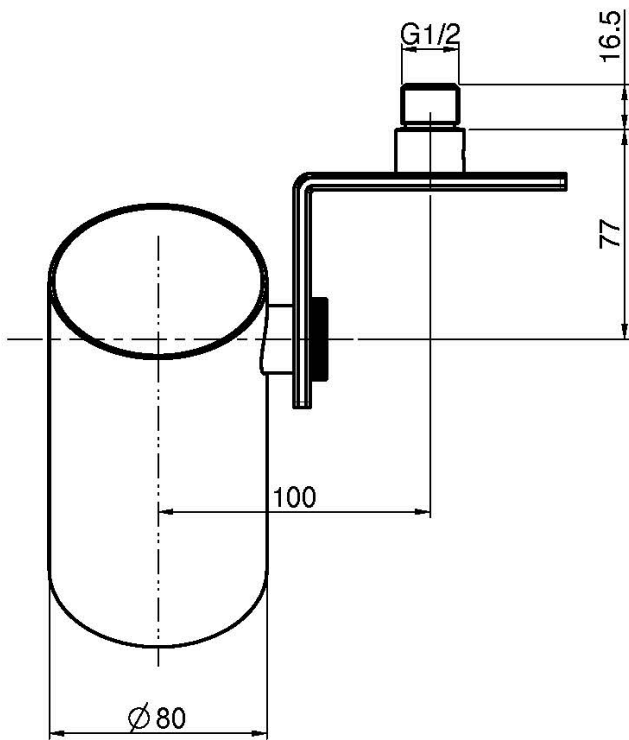
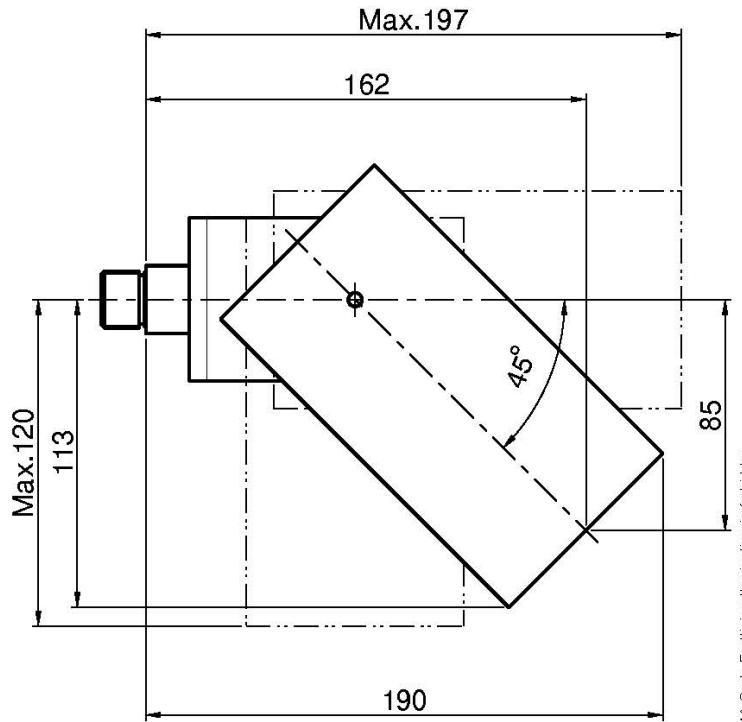
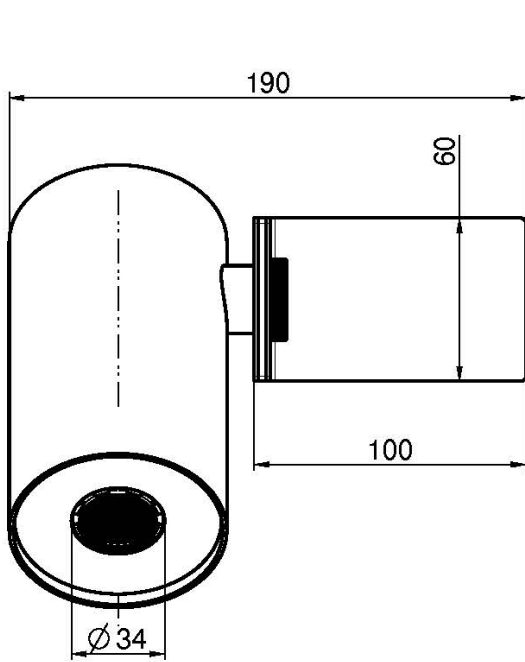


Finishing

-  CHROM
CR
-  GOLD
OR
-  BRUSHED GOLD
OS
-  BLACK CHROME
CN
-  BRUSHED BLACK CHROME
CS
-  WHITE MATT
BS
-  BLACK MATT
NS
-  BRUSHED NICKEL
SN
-  ZINC PLATED
ZL
-  ZINC PLATED WITH NICKEL
ZS



See the general sales conditions in our current pricelist



This drawing is the property of FIMA Carlo Frattini. Any complete or partial reproduction, or any transmission to third party without FIMA Carlo Frattini authorization is forbidden.