

Code F3769X2

SINGLE LEVER BATH AND SHOWER MIXER FOR, CONCEALED INSTALLATION WITH 2 OUTLETS DIVERTER

- exposed part only
- diverter
- ABS plate
- **built-in part to be ordered separately**

Finishing

 CHROM
CR

PRODUCTS NEEDED TO BE ORDERED SEPARATELY

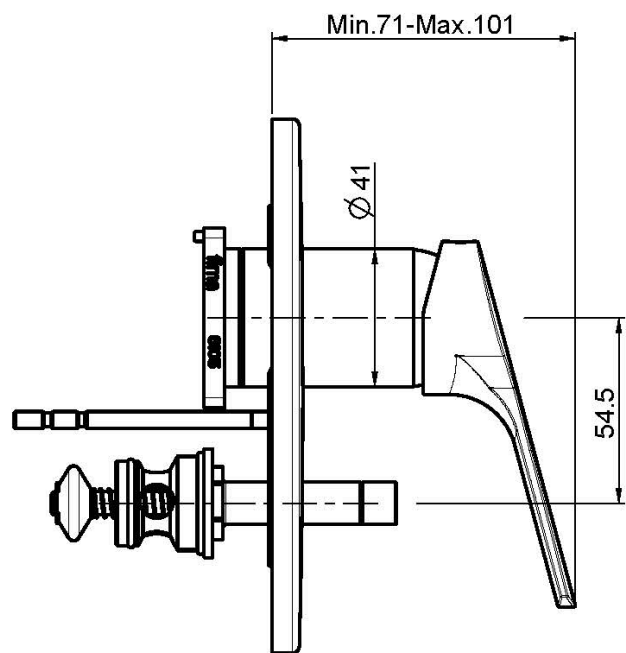
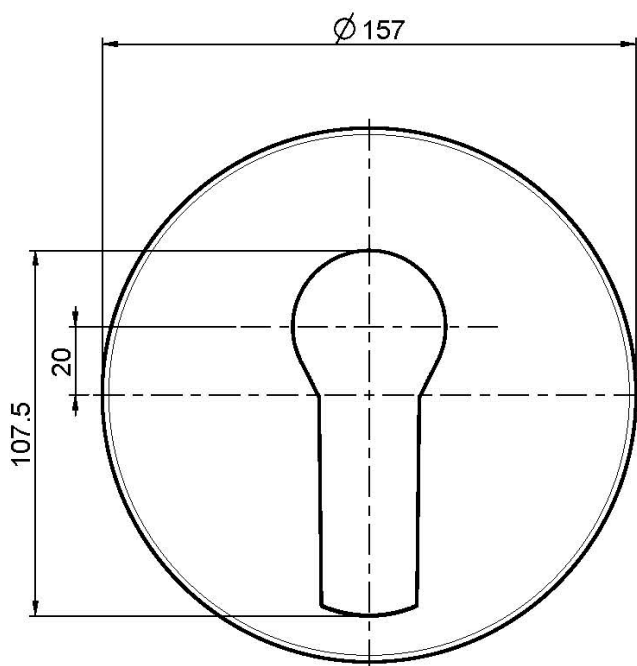
[Built-in part](#)



IMAGE



See the general sales conditions in our current pricelist



This drawing is the property of FIMA Carlo Frattini. Any complete or partial reproduction, or any transmission to third party without FIMA Carlo Frattini authorization is forbidden.

