

Code F3131/H

## SLEEVE BASIN MIXER

- n. 2 flexible hoses
- maximum flow rate at 3 bar: 5 l/m
- 1"1/4 brass click clack waste
- **this product is available without waste (see page 18)**

## Finishing

-  CHROM  
CR
-  BRUSHED NICKEL  
SN
-  BLACK CHROME  
CN
-  BRUSHED BLACK CHROME  
CS
-  WHITE MATT  
BS
-  BLACK MATT  
NS
-  GOLD  
OR
-  BRUSHED GOLD  
OS

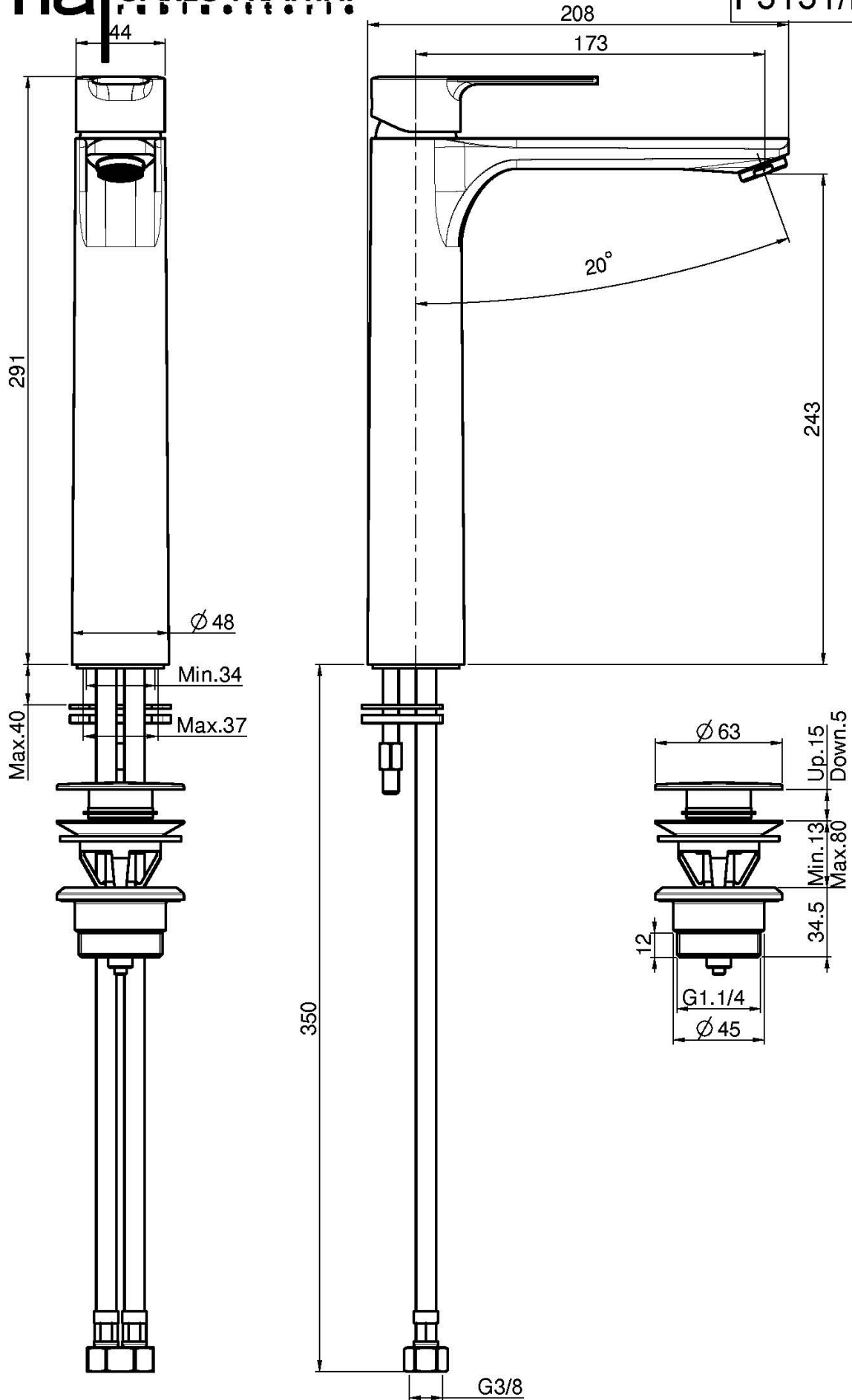
## IMAGE



See the general sales conditions in our current pricelist

fima CARLO FRATTINI®  
FABBRICAZIONE

F3131/HCR



This drawing is the property of FIMA Carlo Frattini. Any complete or partial reproduction, or any transmission to third party without FIMA Carlo Frattini authorization is forbidden.