

Code F3183X2

THERMOSTATIC BUILT-IN SHOWER MIXER

• HANDLES SOLD SEPARATELY

- safety stop handle 38°
- exposed part only
- 2 volume control valves
- horizontal or vertical installation








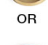
TO COMPLETE THIS PRODUCT PLEASE ORDER NR. 2
HANDLES S2

- **built-in part to be ordered separately**

IMAGE



Finishing

-  CHROM
CR
-  HL
-  HS
-  ZL
-  ZS
-  SN
-  CN
-  CS
-  BS
-  NS
-  OR
-  OS

PRODUCTS NEEDED TO BE ORDERED SEPARATELY

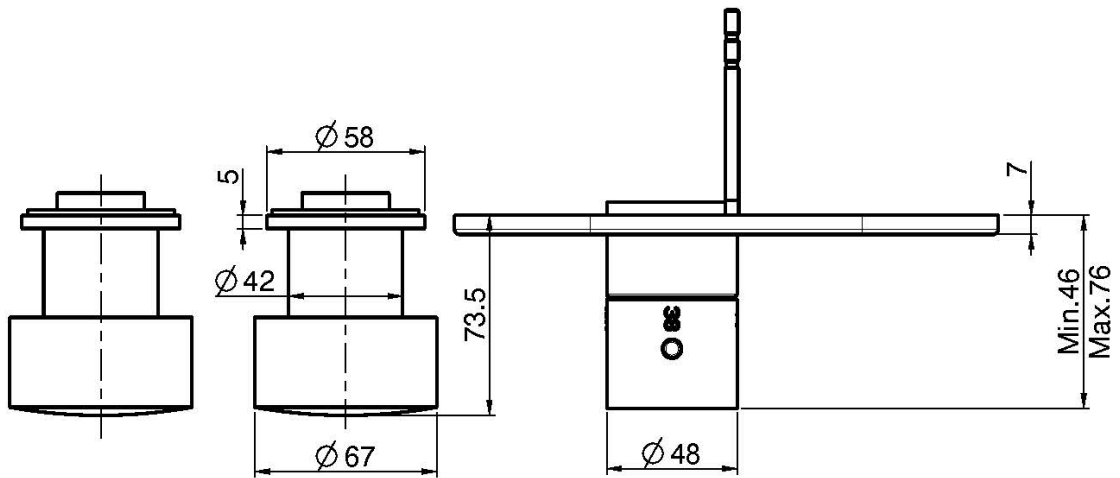
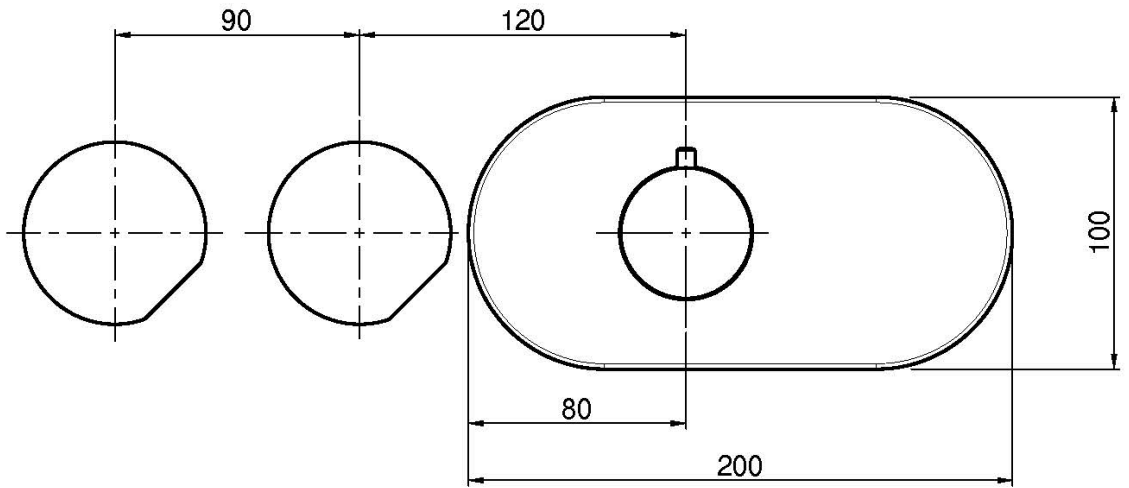
[Handle S2](#)



[Built-in part](#)



See the general sales conditions in our current pricelist



This drawing is the property of FIMA Carlo Frattini. Any complete or partial reproduction, or any transmission to third party without FIMA Carlo Frattini authorization is forbidden.

