

Code F4049X2











**THERMOSTATIC SINGLE LEVER  
BATH/SHOWER MIXER FOR CONCEALED  
INSTALLATION**

- exposed part only
- **built-in part to be ordered separately**

IMAGE

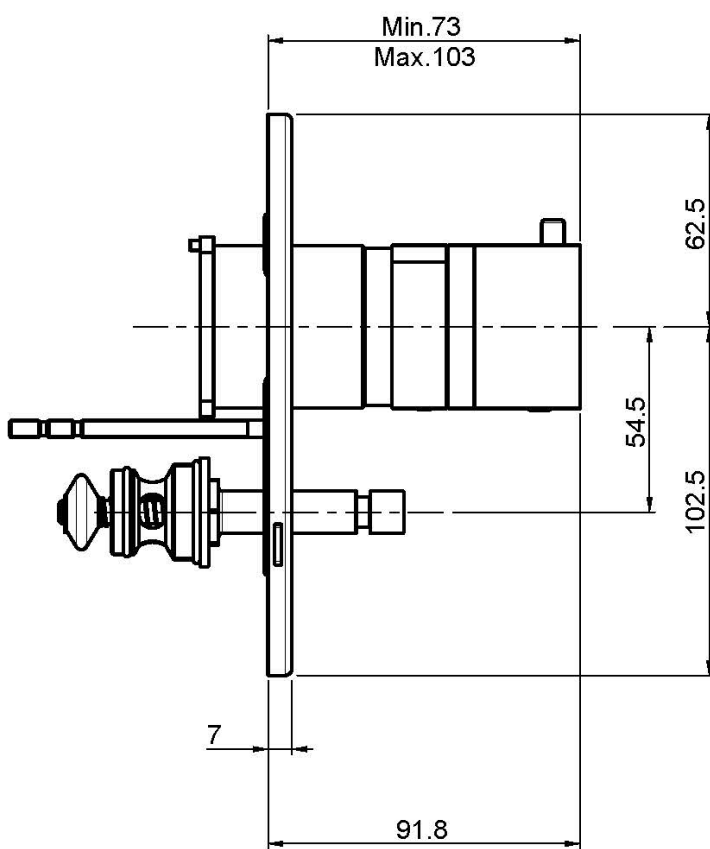
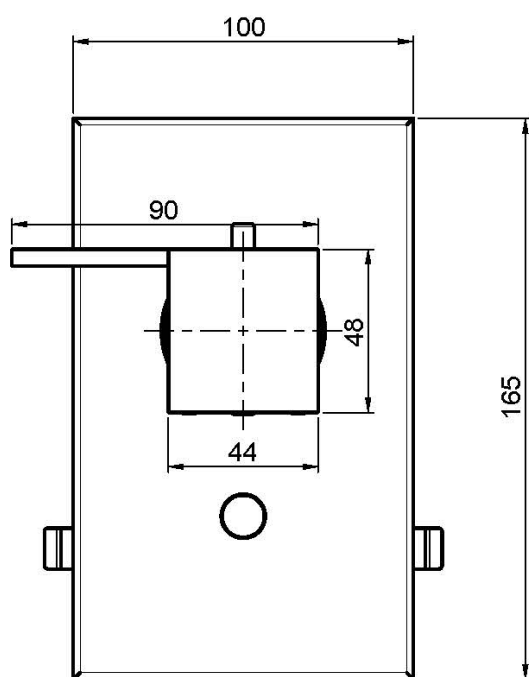


Finishing

-  CHROM  
CR
-  HL
-  HS
-  ZL
-  ZS
-  SN
-  CN
-  CS
-  BS
-  NS
-  OR
-  OS



See the general sales conditions in our current pricelist



This drawing is the property of FIMA Carlo Frattini. Any complete or partial reproduction, or any transmission to third party without FIMA Carlo Frattini authorization is forbidden.