

Code F5001

THREE-HOLES BASIN MIXER WITH SWIVEL SPOUT

- n. 2 flexible hoses
- swivel spout
- pop-up waste 1"1/4

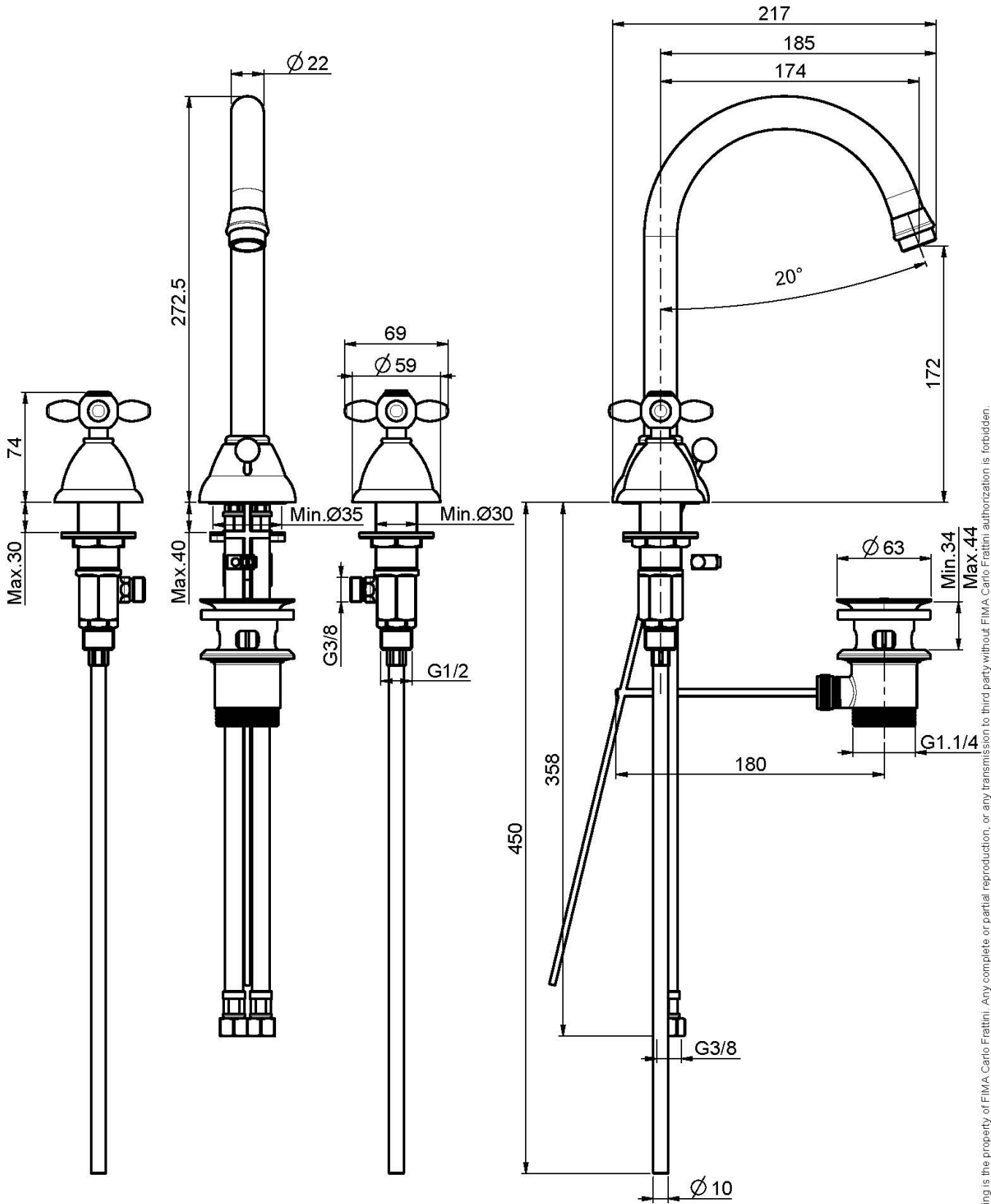
Finishing

-  CHROM
CR
-  BRUSHED NICKEL
SN
-  GOLD
OR
-  BRUSHED GOLD
OS
-  OLD BRONZE
BR
-  ANTIQUE COPPER
RA

IMAGE



See the general sales conditions in our current pricelist



This drawing is the property of FIMA Carlo Frattini. Any complete or partial reproduction, or any transmission to third party without FIMA Carlo Frattini authorization is forbidden.