

Code F3523/1

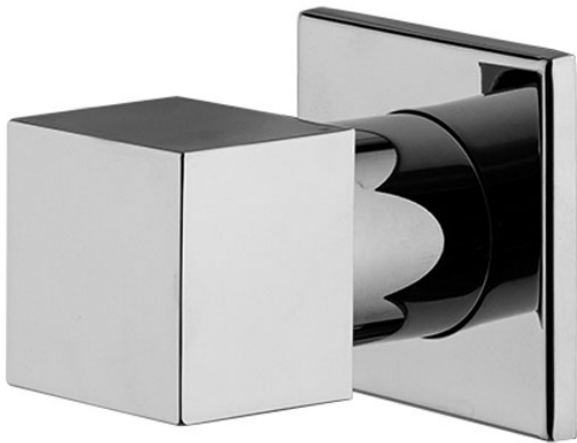
VOLUME CONTROL VALVE 1/2"

- exposed part only
- **built-in part to be ordered separately**

Finishing

-  CHROM
CR
-  BRUSHED NICKEL
SN
-  WHITE MATT
BS
-  BLACK MATT
NS

IMAGE

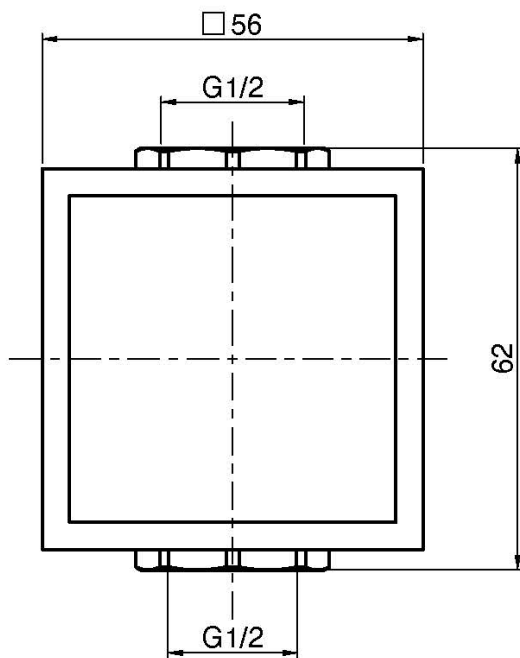
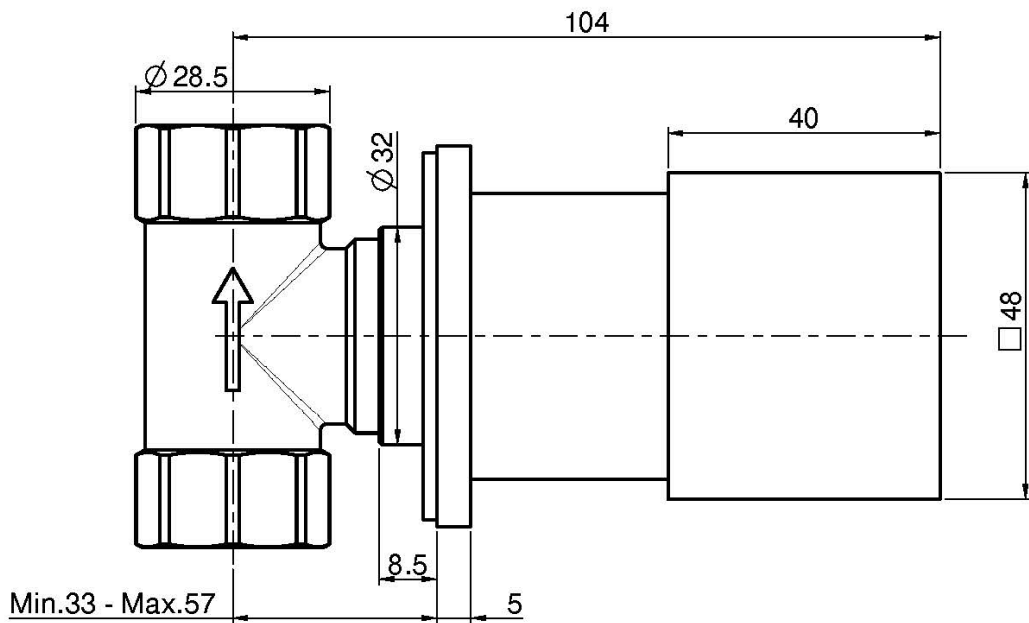


PRODUCTS NEEDED TO BE ORDERED SEPARATELY

[Built-in part](#)



See the general sales conditions in our current pricelist



This drawing is the property of FIMA Carlo Frattini. Any complete or partial reproduction, or any transmission to third party without FIMA Carlo Frattini authorization is forbidden.

