

Code F3523/1

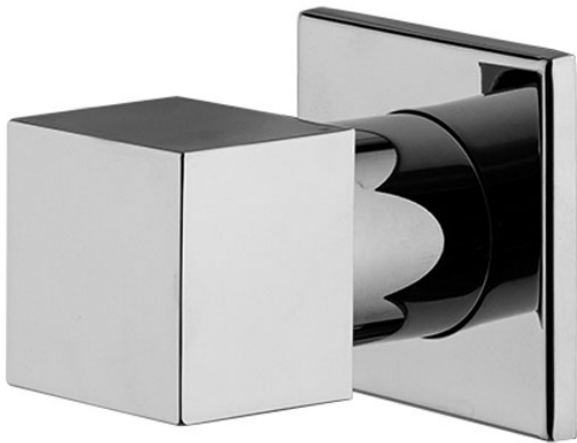
## VOLUME CONTROL VALVE 1/2"

- exposed part only
- **built-in part to be ordered separately**

## Finishing

-  CHROM  
CR
-  BRUSHED NICKEL  
SN
-  WHITE MATT  
BS
-  BLACK MATT  
NS

## IMAGE

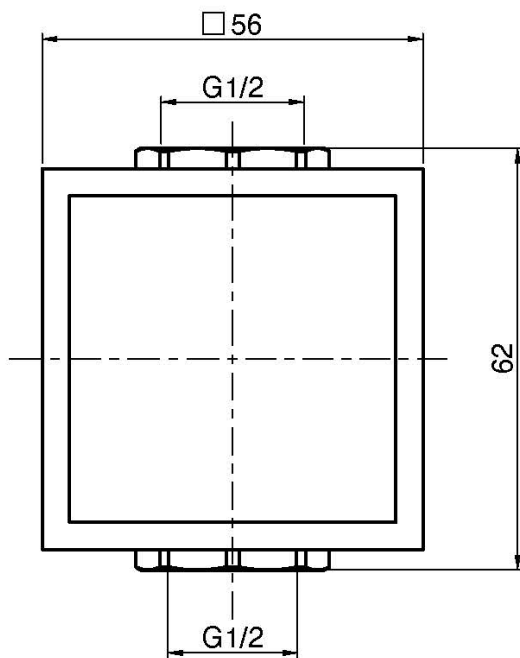
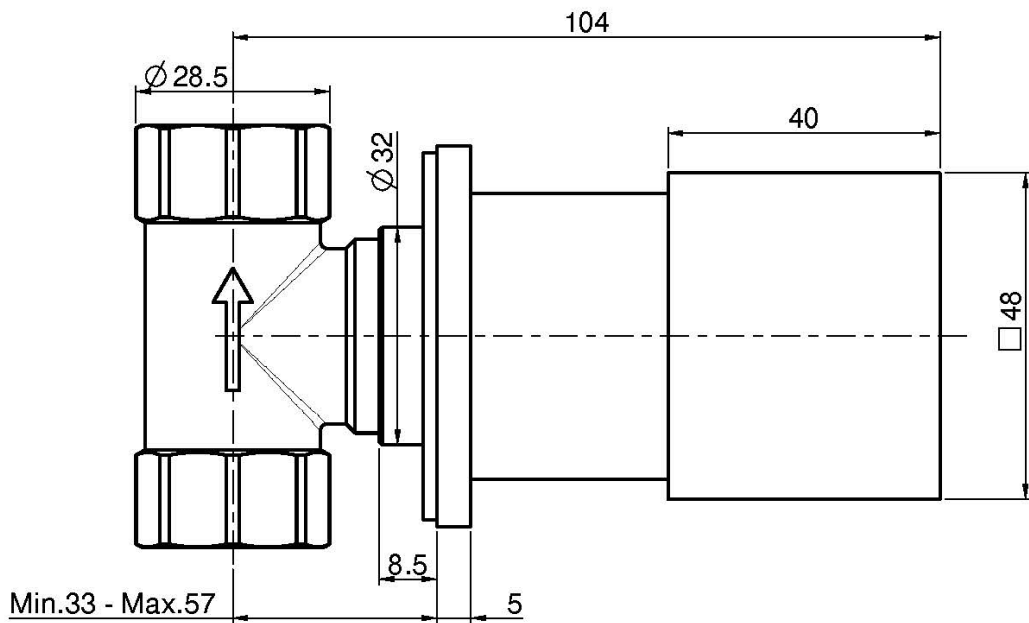


## PRODUCTS NEEDED TO BE ORDERED SEPARATELY

### [Built-in part](#)



See the general sales conditions in our current pricelist



This drawing is the property of FIMA Carlo Frattini. Any complete or partial reproduction, or any transmission to third party without FIMA Carlo Frattini authorization is forbidden.

