

Code F3183/1

VOLUME CONTROL VALVE 1/2"












- **HANDLE SOLD SEPARATELY**
- exposed part only
- **built-in part to be ordered separately**

TO COMPLETE THIS PRODUCT PLEASE ORDER NR. 1
HANDLE S2

IMAGE



Finishing

-  CHROM
CR
-  HL
-  HS
-  ZL
-  ZS
-  BRUSHED NICKEL
SN
-  BLACK CHROME
CN
-  BRUSHED BLACK CHROME
CS
-  WHITE MATT
BS
-  BLACK MATT
NS
-  GOLD
OR
-  BRUSHED GOLD
OS

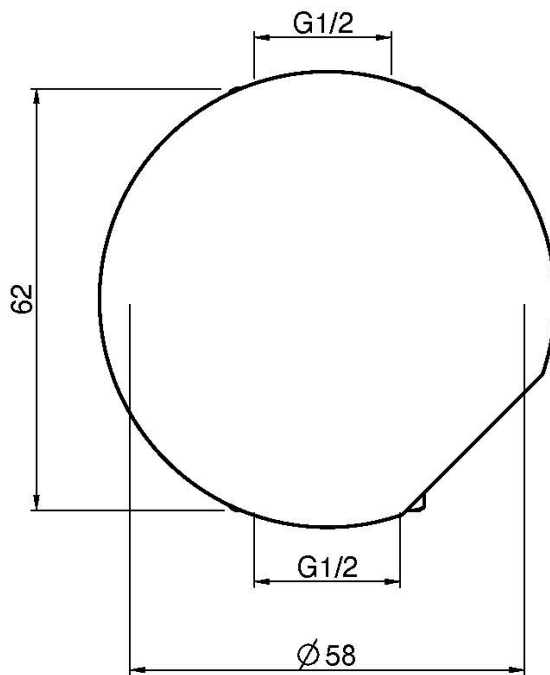
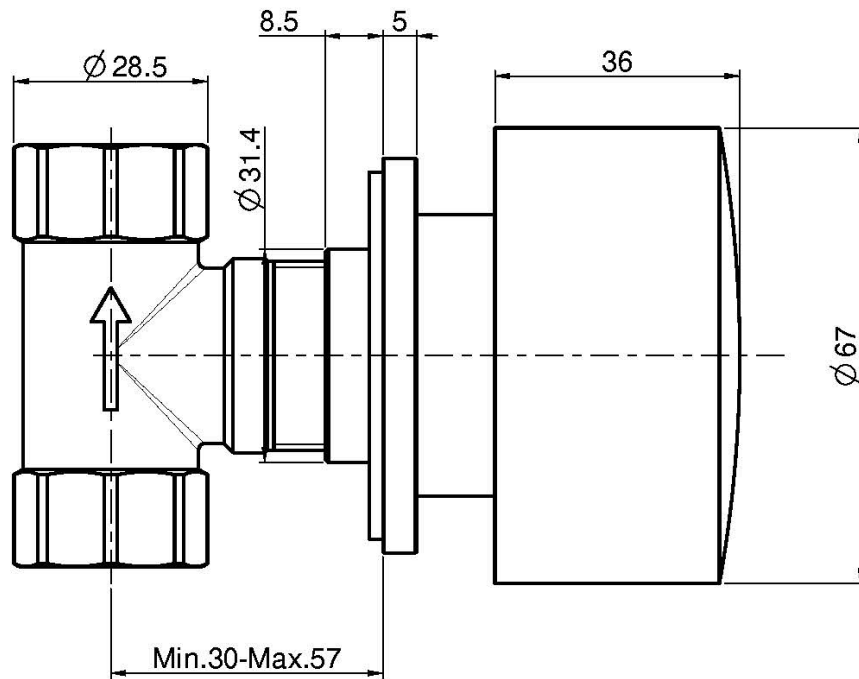
PRODUCTS NEEDED TO BE ORDERED SEPARATELY

[Built-in part](#)

[Handle S2](#)



See the general sales conditions in our current pricelist



This drawing is the property of FIMA Carlo Frattini. Any complete or partial reproduction, or any transmission to third party without FIMA Carlo Frattini authorization is forbidden.

