






Code F4161M

WASH BASIN MIXER

- swivel spout
- n. 2 flexible hoses
- 1"1/4 brass click clack waste
- **this product is available without waste (see page 18)**

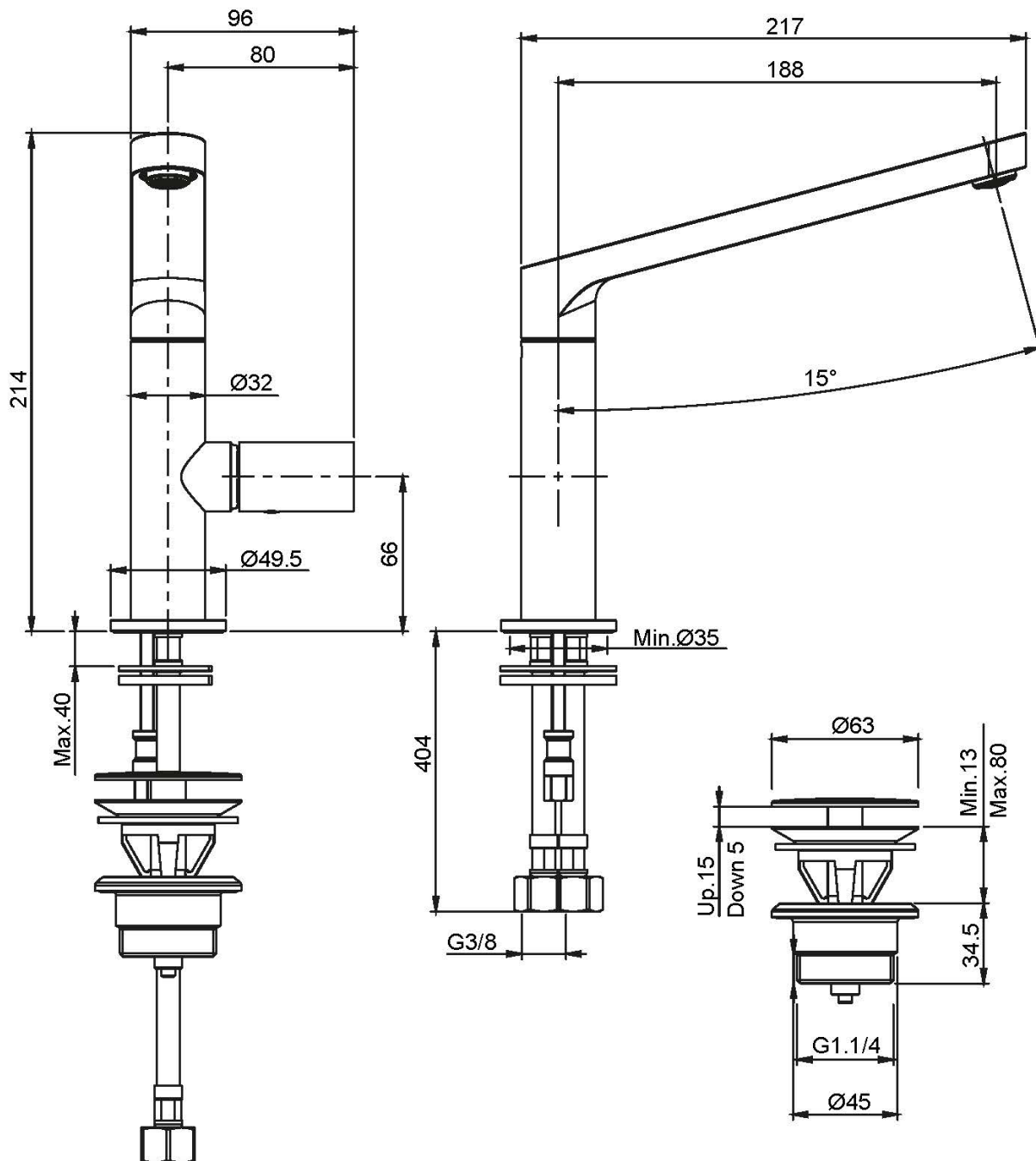
Finishing

-  CHROM
CR
-  HL
-  HS
-  BRUSHED NICKEL
SN
-  BLACK CHROME
CN
-  BRUSHED BLACK CHROME
CS

IMAGE



See the general sales conditions in our current pricelist



This drawing is the property of FIMA Carlo Frattini. Any complete or partial reproduction, or any transmission to third party without FIMA Carlo Frattini authorization is forbidden.