

Code F3001/3

WASH BASIN MIXER

- swivel spout
- maximum flow rate at 3 bar: 5 l/m
- n. 2 flexible hoses
- pop-up waste 1"1/4
- white and black finishes use click clack pop up waste

Finishing

 CHROM
CR

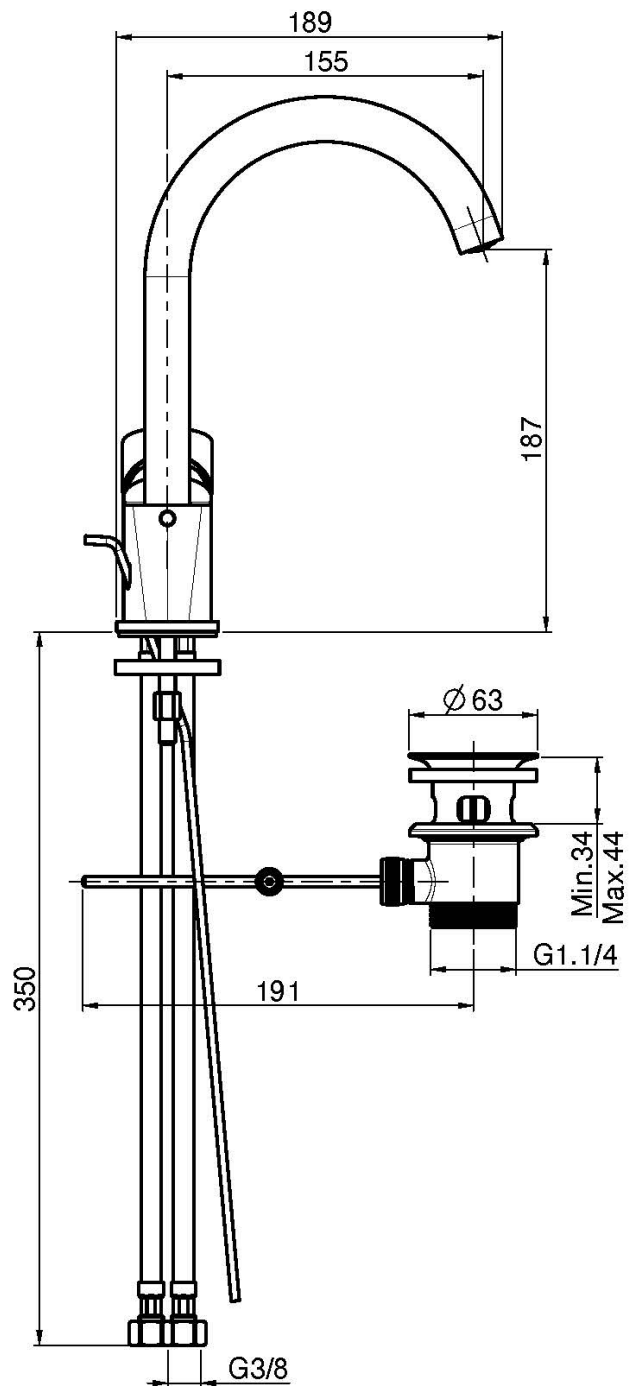
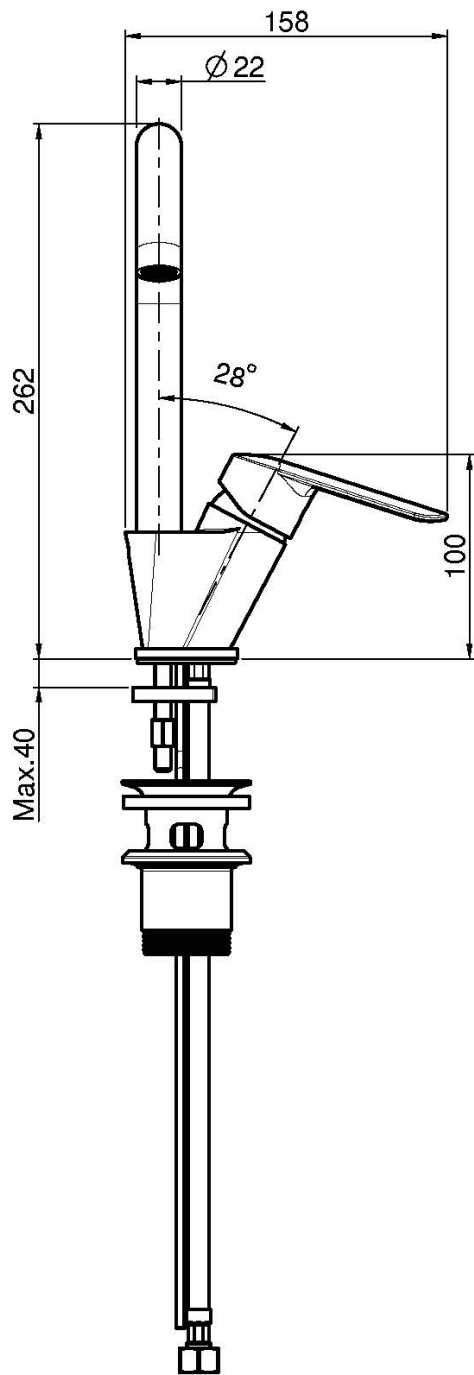
 WHITE MATT
BS

 BLACK MATT
NS

IMAGE



See the general sales conditions in our current pricelist



This drawing is the property of FIMA Carlo Frattini. Any complete or partial reproduction, or any transmission to third party without FIMA Carlo Frattini authorization is forbidden.