

Code F3041









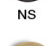
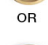
WASH BASIN MIXER

- n. 2 flexible hoses
- swivel spout
- pop-up waste 1"1/4
- white and black finishes use click clack pop up waste
- **this product is available without waste (see page 18)**
- **this product is available with click clack pop-up waste (see page19)**

IMAGE

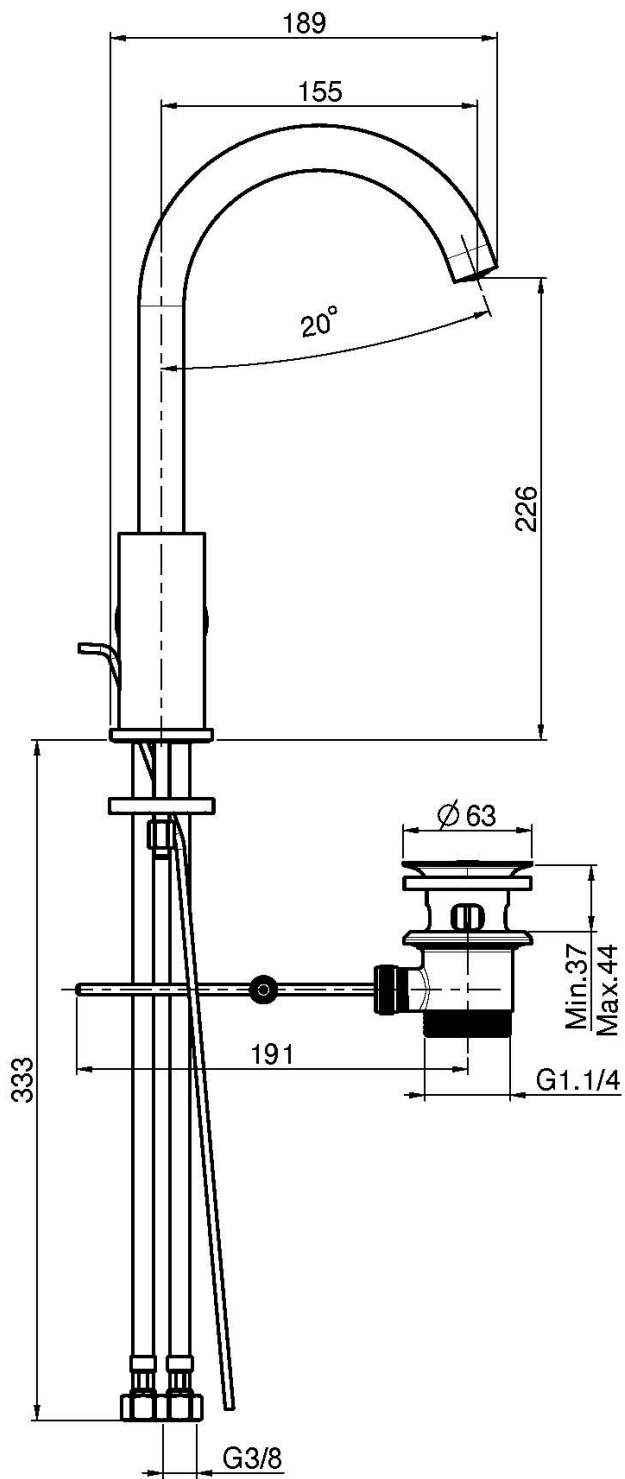
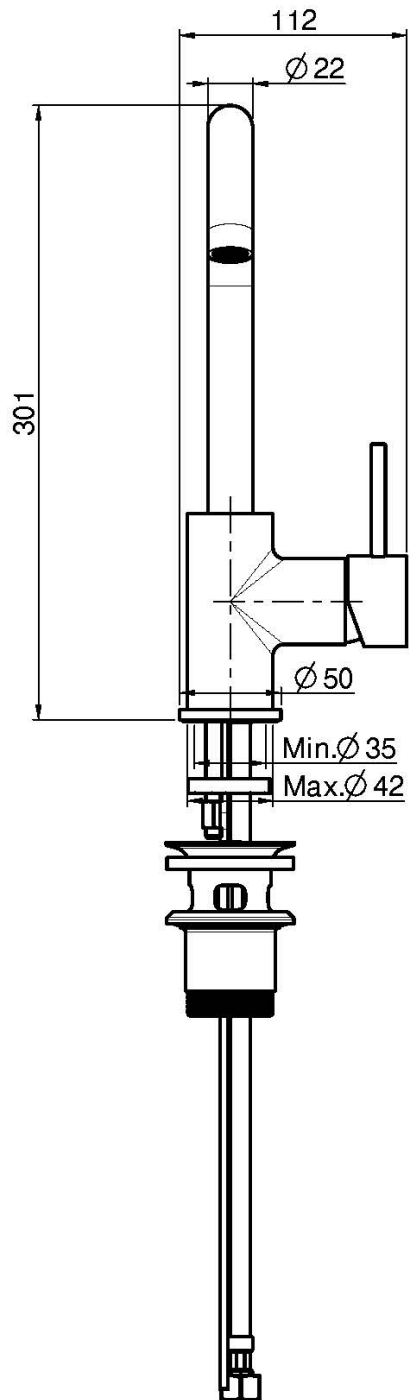


Finishing

-  CHROM
CR
-  HL
-  HS
-  ZL
-  ZS
-  SN
-  CN
-  CS
-  BS
-  NS
-  OR
-  OS



See the general sales conditions in our current pricelist



This drawing is the property of FIMA Carlo Frattini. Any complete or partial reproduction, or any transmission to third party without FIMA Carlo Frattini authorization is forbidden.