

Code F3001L

WASH BASIN MIXER

- n. 2 anti twist flexible hoses
- 1"1/4 brass click clack waste
- **this product is available without waste (see page 18)**

Finishing

 CHROM
CR

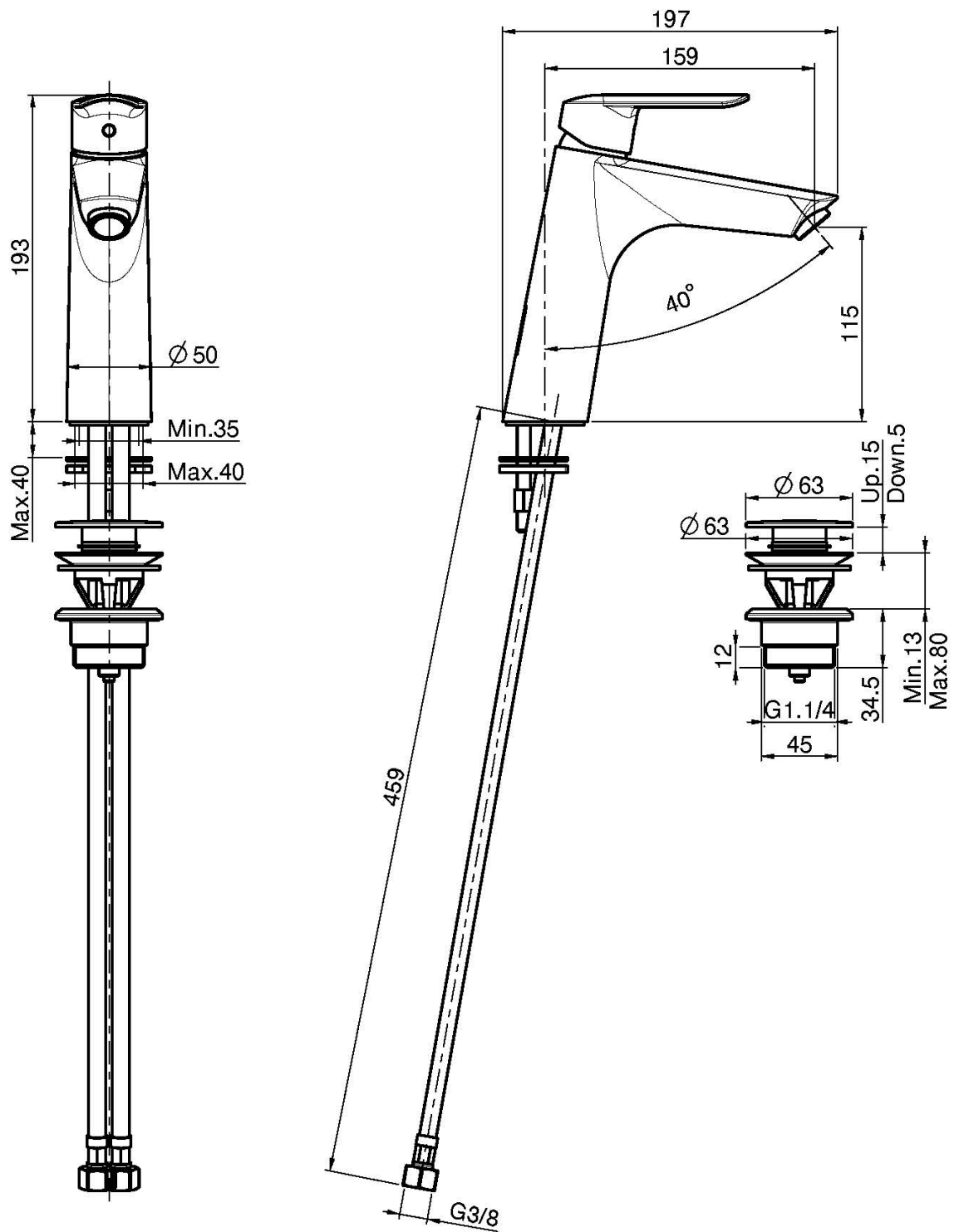
 WHITE MATT
BS

 BLACK MATT
NS

IMAGE



See the general sales conditions in our current pricelist



This drawing is the property of FIMA Carlo Frattini. Any complete or partial reproduction, or any transmission to third party without FIMA Carlo Frattini authorization is forbidden.