

Code F3831L/LC

**WASH BASIN MIXER WITH CLINICAL
HANDLE**

- n. 2 flexible hoses

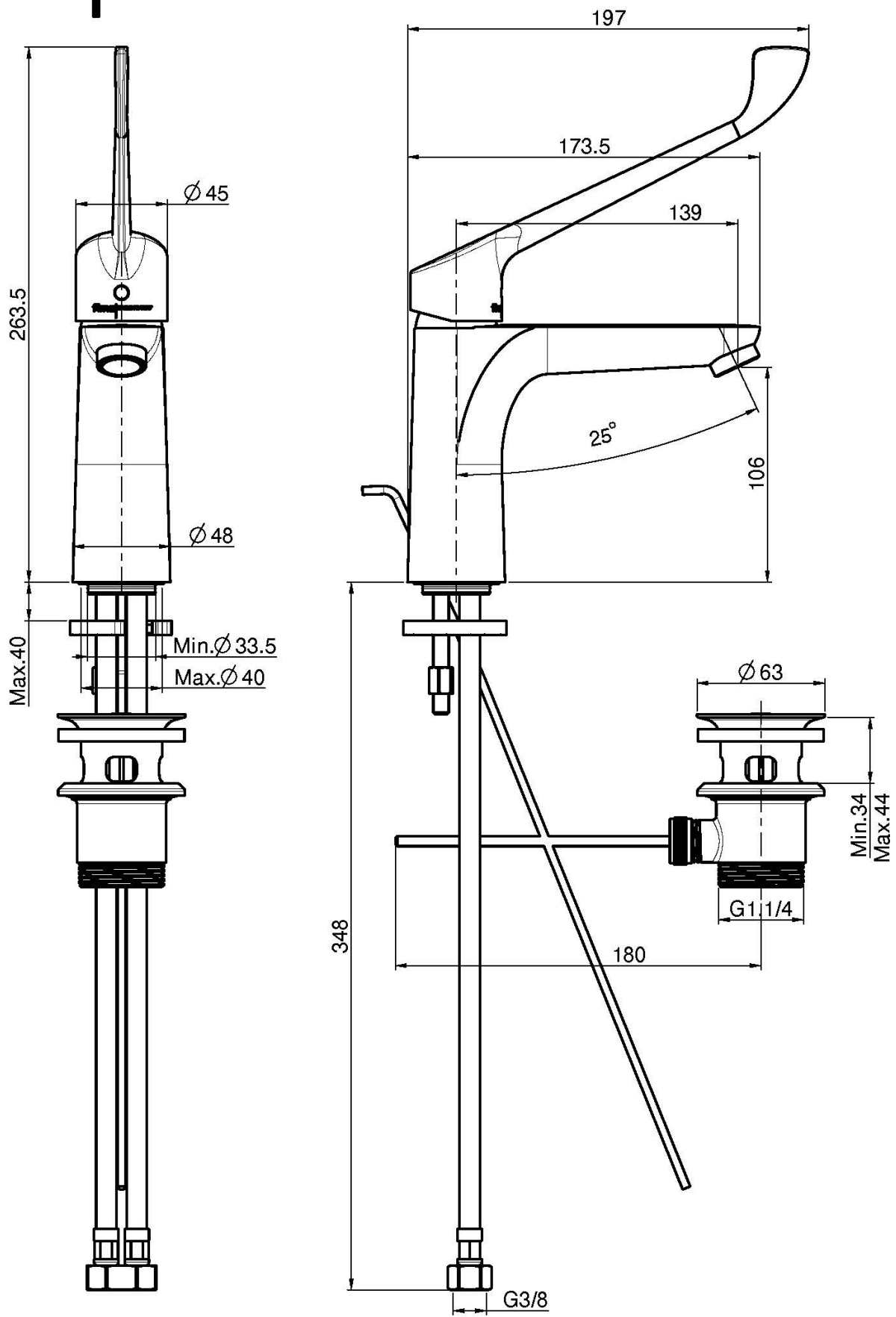
Finishing

 CHROM
CR

IMAGE



See the general sales conditions in our current pricelist



This drawing is the property of FIMA Carlo Frattini. Any complete or partial reproduction, or any transmission to third party without FIMA Carlo Frattini authorization is forbidden.