


Code F3836/LC

WASH BASIN MIXER WITH CLINICAL HANDLE

- n. 2 eccentric couplings 1/2"
- clinical handle
- swivel spout

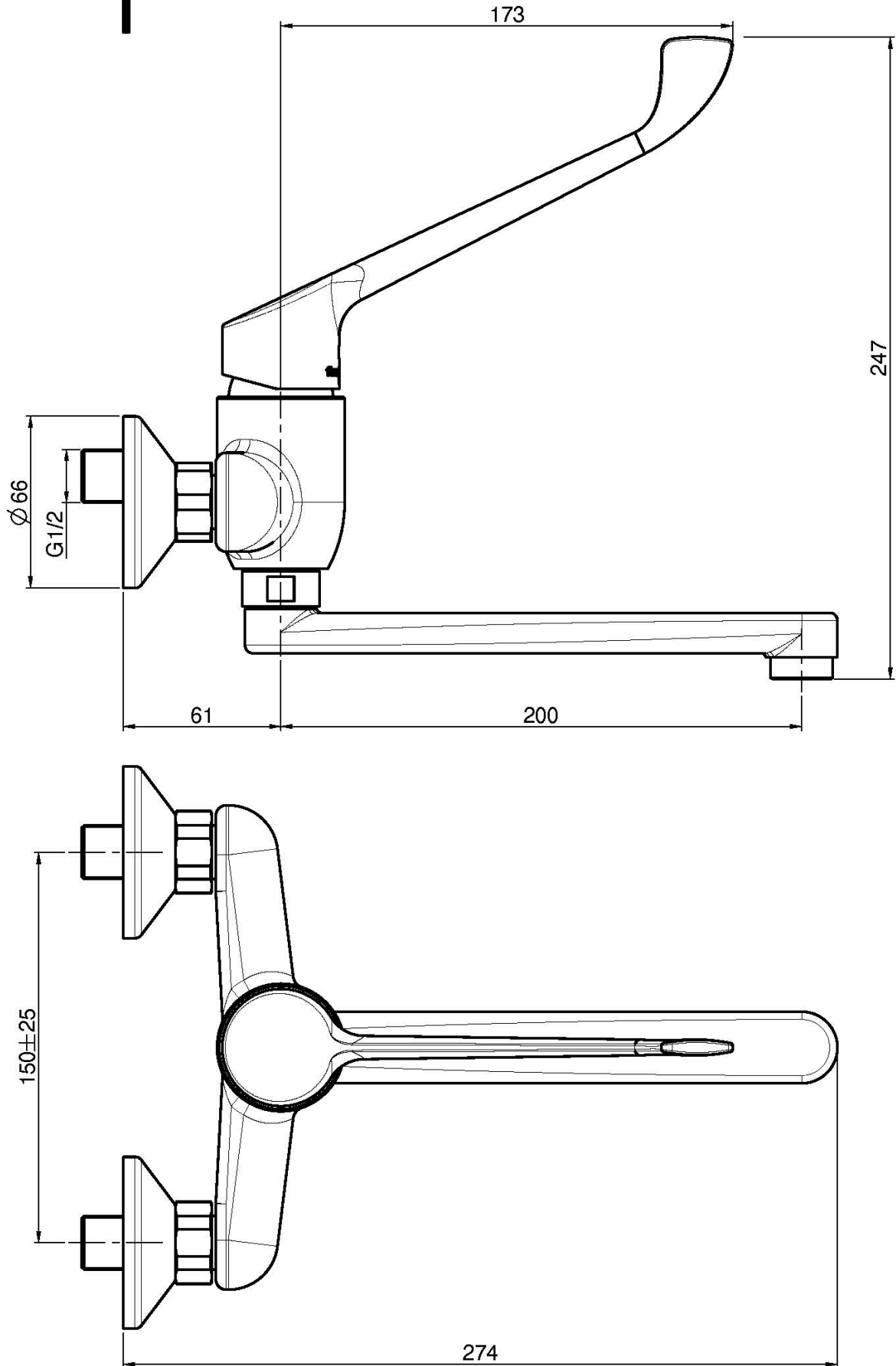
Finishing

 CHROM
CR

IMAGE



See the general sales conditions in our current pricelist



This drawing is the property of FIMA Carlo Frattini. Any complete or partial reproduction, or any transmission to third party without FIMA Carlo Frattini authorization is forbidden.