

Code F3831/LC

## WASH BASIN MIXER WITH CLINICAL HANDLE

- n. 2 flexible hoses
- pop-up waste 1"1/4

## Finishing

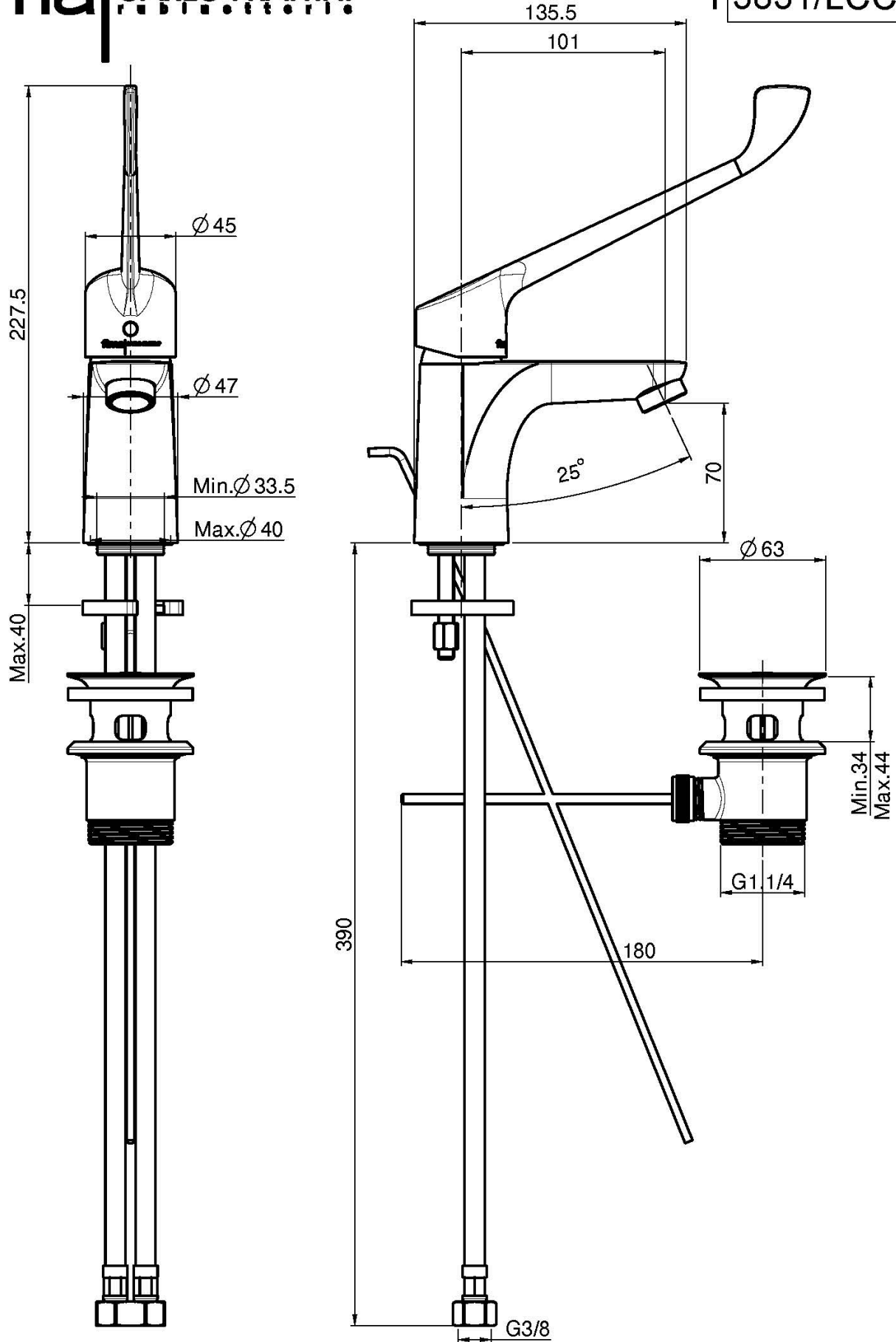
 CHROM  
CR

 BLACK MATT  
NS

## IMAGE



See the general sales conditions in our current pricelist



This drawing is the property of FIMA Carlo Frattini. Any complete or partial reproduction, or any transmission to third party without FIMA Carlo Frattini authorization is forbidden.