

Code F3071

WASH BASIN MIXER XS

- n. 2 flexible hoses
- 1"1/4 stainless steel click clack pop-up waste

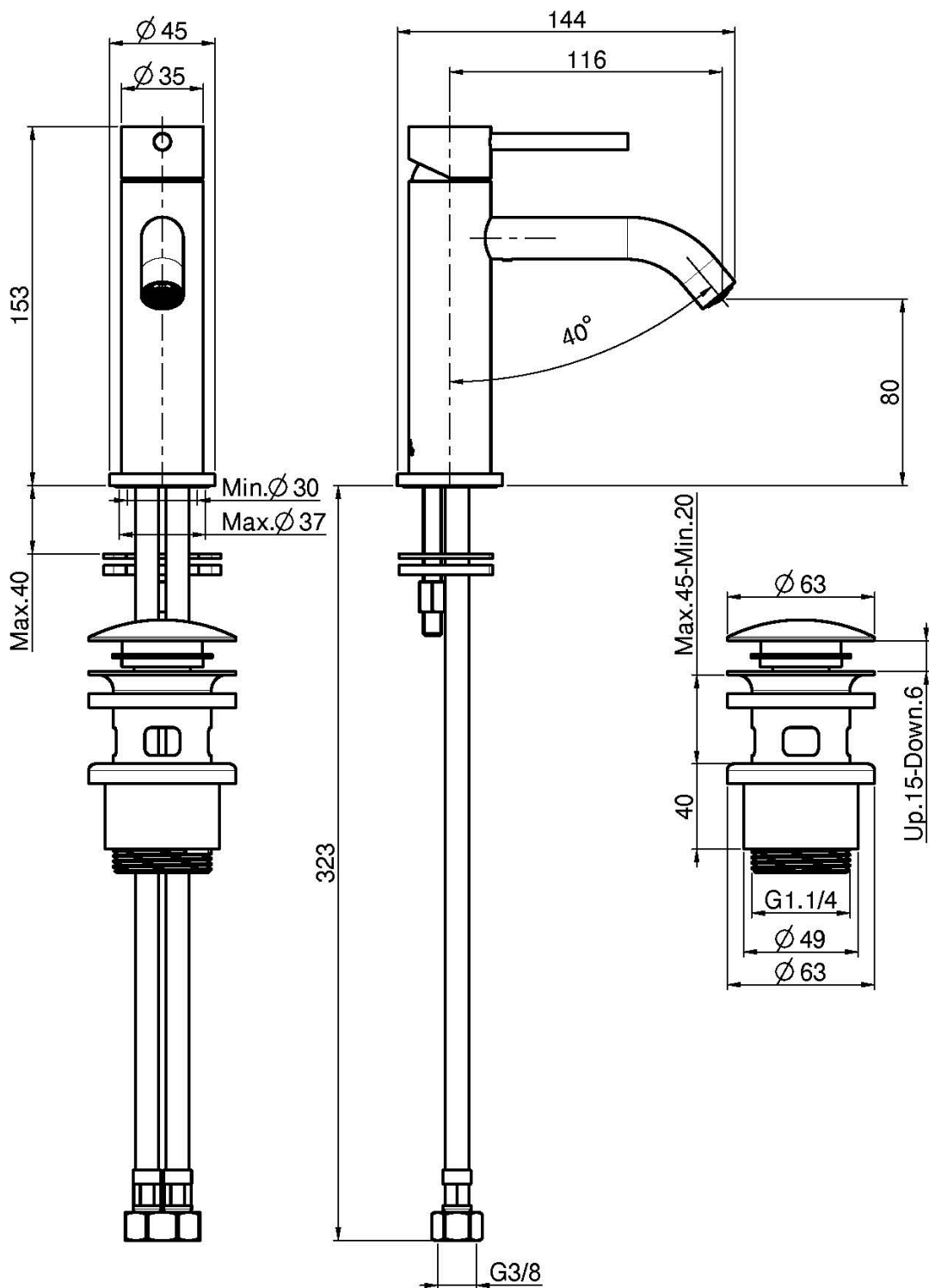
Finishing



IMAGE



See the general sales conditions in our current pricelist



This drawing is the property of FIMA Carlo Frattini. Any complete or partial reproduction, or any transmission to third party without FIMA Carlo Frattini authorization is forbidden.