

Code F2954

WATER CONNECTION 1/2"

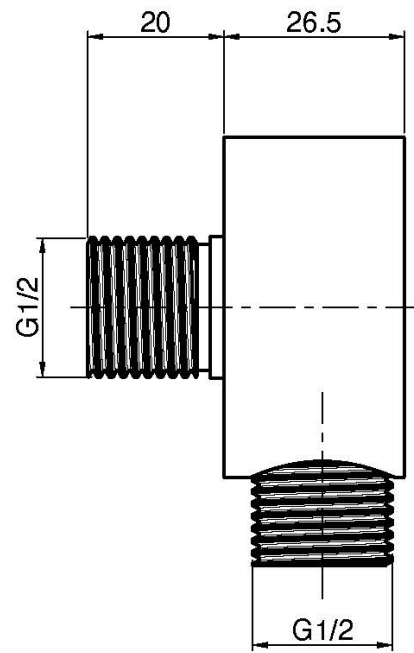
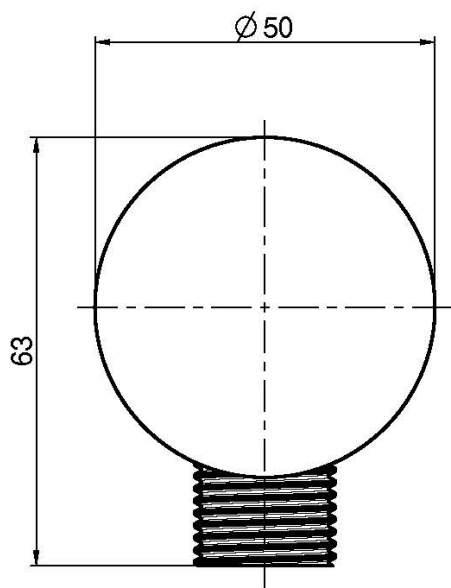
Finishing

 INOX
INOX

IMAGE



See the general sales conditions in our current pricelist



This drawing is the property of FIMA Carlo Frattini. Any complete or partial reproduction, or any transmission to third party without FIMA Carlo Frattini authorization is forbidden.