

Codigo F2954

TOMA DE AGUA 1/2"

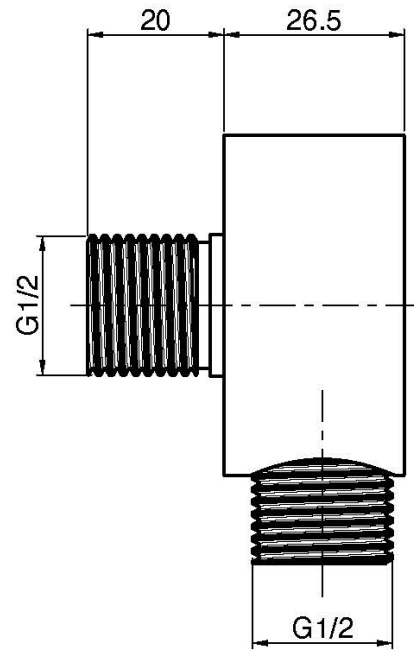
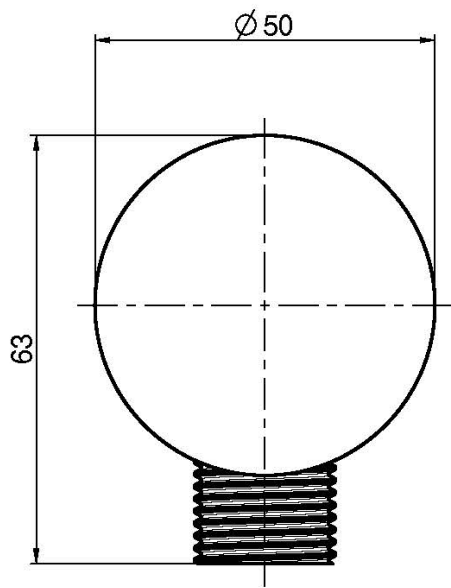
Finiture

 INOX
INOX

IMAGEN



Consulte las condiciones generales de venta en nuestra lista
de precios aplicable



This drawing is the property of FIMA Carlo Frattini. Any complete or partial reproduction, or any transmission to third party without FIMA Carlo Frattini authorization is forbidden.