


Code F7047/2

KITCHEN MIXER FLEXI

- n. 2 flexible hoses
- swivel spout
- ABS extractable handshower
- black silicone hose for extractable handshower

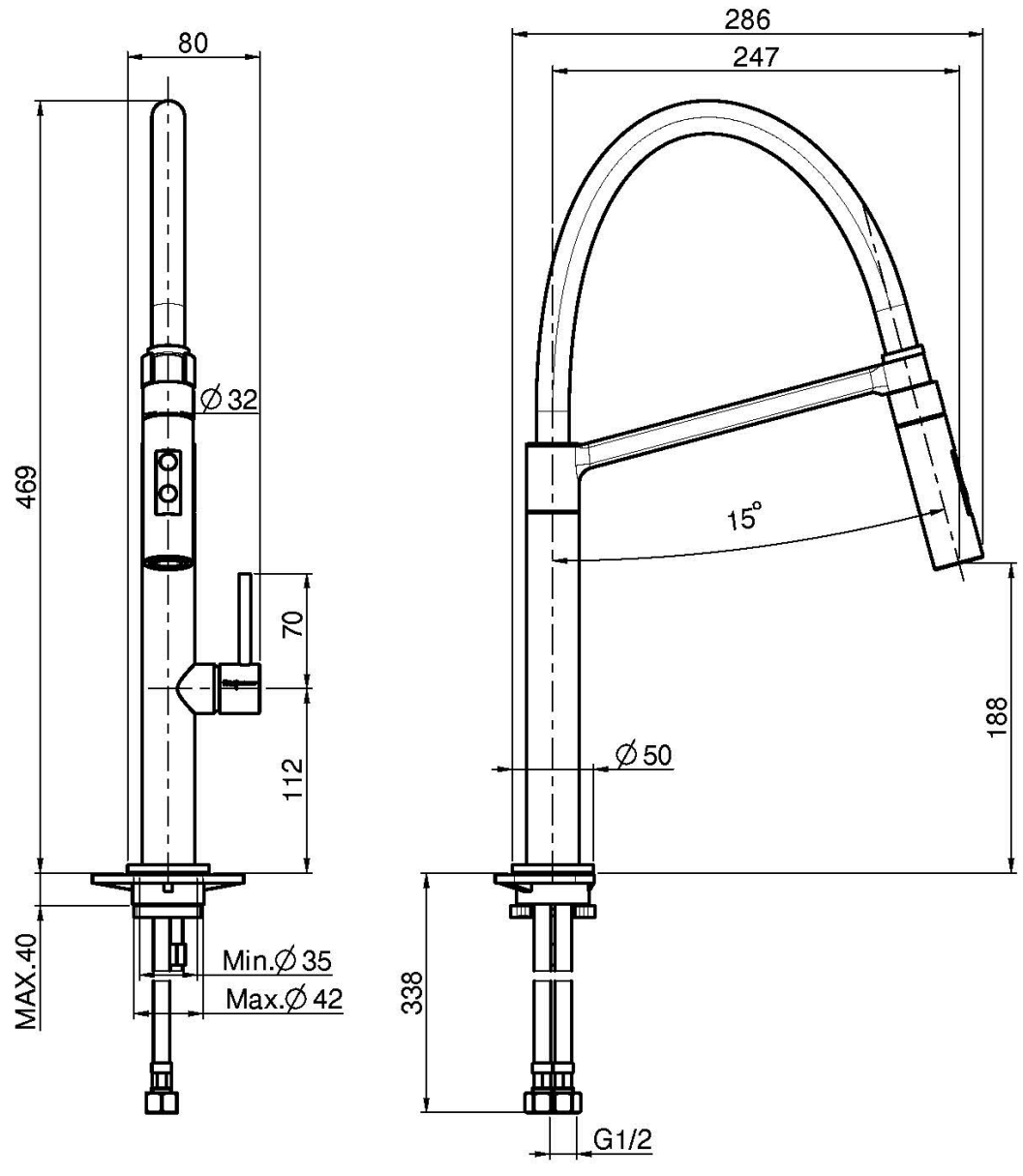
Finishing

-  CHROM
CR
-  BRUSHED NICKEL
SN
-  WHITE MATT
BS
-  BLACK MATT
NS

IMAGE



See the general sales conditions in our current pricelist



This drawing is the property of FIMA Carlo Frattini. Any complete or partial reproduction, or any transmission to third party without FIMA Carlo Frattini authorization is forbidden.